



**CUSTOM WORKS PROJECT NO. 037**

120V PENDANTS

location:  
**DAMP**

**SPECIFICATIONS:**

**DESCRIPTION**

Stem mount pendant with dual square fabric shades.

**LAMPING**

**Standard:** 3x GU24 Sockets.

**DIFFUSER**

Outer shade shall be a translucent white, 24" L x 24" W x 10" H, with inner shade of white washable trilam fabric. Bottom lamp shield shall be frosted white acrylic and also top clear acrylic shield.

**SUSPENSION**

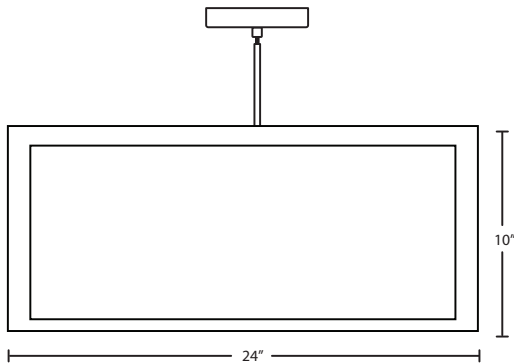
**Stem-mount:** Connectable stem assembly secured to the 5" Dia. canopy (with swivel). Satin Nickel finish.

**MOUNTING**

Installs directly to a 4" octagonal outlet box, centered on fixture.

**LABELS**

UL or ETL Listed. Suitable for Damp Locations.



**Project Information:**

All dimensions provided are nominal.  
Allowance must be made for dimensional tolerance in handcrafted glasses.

**REV 8/15**