

SPECIFICATIONS:

DESCRIPTION

Outdoor lantern features handcrafted glass.

DIFFUSER

Clear glass diffuser is hand-painted, with clear ribbed lower half.

LAMPING

Standard is 1x 75W A19 120V incandescent. (not included)

MOUNTING

Orientation is globe-up only for either post or wall mount.

POST: Fitter installs directly to a 3" dia. post or optional pier base (not included). Post collar I.D. is 3.125"

WALL: Bracket installs directly to a 4" octagonal outlet box.

CONSTRUCTION

POST: Fitter is two-piece cast aluminum with powder coated finish.

WALL: Bracket (4.5" W x 7.85" L x 6" H) is a one piece die-cast aluminum fitter with powder coated finish.

PIER BASE OPTION

Cast aluminum pier base can be ordered separately. Mounts to columns or railings with four mounting holes. Covers up to a 3.5" x 3.5" opening. Stainless steel mounting screws (#8 x 1") provided.

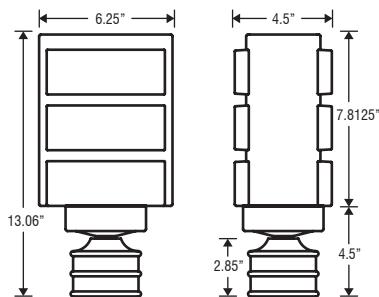
LABELS

UL listed. Suitable for Wet Locations.



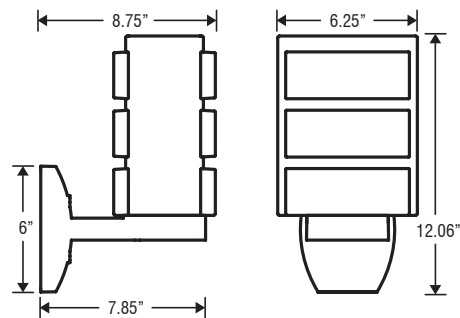
POST MOUNT ORDERING:

Item Number	Glass Decor	Fitter
351355-17	Black/Opal	Black
351382-12	Graphite/Opal	Graphite



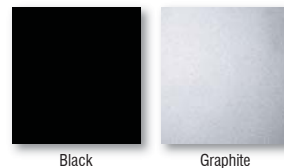
WALL MOUNT ORDERING:

Item Number	Glass Decor	Bracket
351355-W1BK	Black/Opal	Black
351382-W1GR	Graphite/Opal	Graphite



Project Information:

DECORS:



Glass dimensions provided are nominal. Allowance must be made for dimensional tolerance in handcrafted glasses.

REVISED 10/08