

FIXTURE INSTALLATION GUIDE

Models Elana Series (Elana Vanity 120V)



BESA LIGHTING

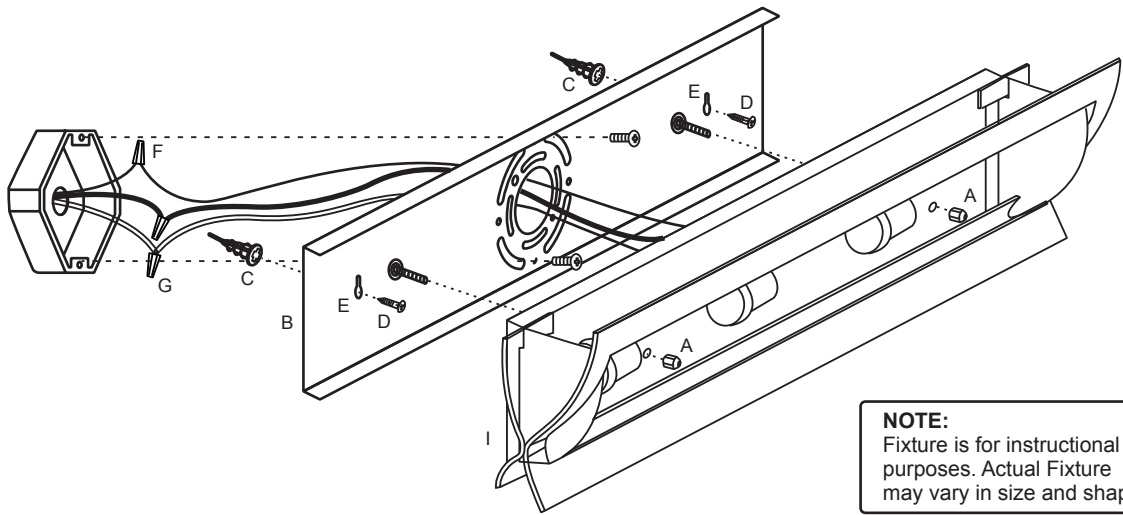
6695 Taylor Rd. Blacklick, OH 43004
www.besalighting.com

Elana, Rev.1 11-12

Use With these Models:

- Elana 26

Caution: Turn off power to electrical box before installing



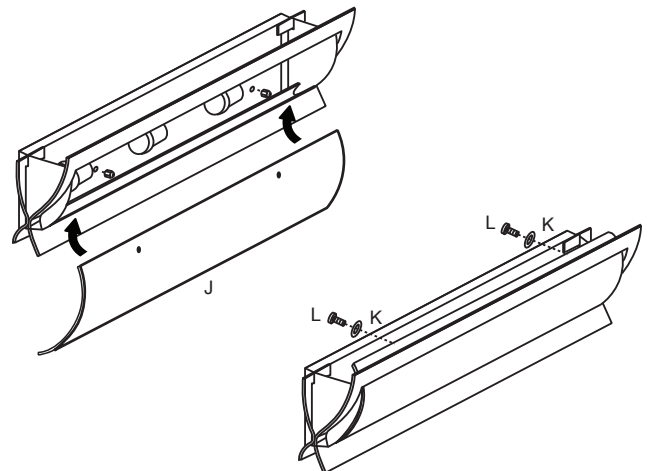
1. Carefully unpack parts. Remove Cap Nuts (A) to release Mounting Plate (B) from Canopy.
2. Place Mounting Plate onto wall in desired location and mark for placement of all Two Wall Anchors (C) provided. Install Wall Anchors (C) and Wood Screws (D) leaving a slight gap from wall. Pull supply wires through the opening in Mounting Plate, align Keyhole Slots (E) over Wood Screws, then secure by tightening screws.
4. Attach the Fixture Ground wire to the supply ground and secure with Wire Nut connector (F).
5. Connect the fixture conductors to the supply conductors with wire nut connectors (G) as shown: White fixture wire to white supply wire and black fixture wire to black supply wire. Carefully push wires and wire nuts back into outlet box.
6. Place the fixture Canopy (I) over the outlet box so that the threaded posts in the Mounting Plate align with the two holes in Canopy. Secure with two Cap Nuts (A).

7. Install lamps.

8. Install Glass (J) from the bottom of the fixture and pull up until you can sit glass on lip of fixture and the holes in the glass align with the glass mounting posts. See at right for how to install glass shade.

9. Once Glass sits securely in the fixture secure the Glass onto glass mounting posts with provide Washers (K) and Thumbscrews (L) provided.

10. Restore power.



CAUTION--RISK OF FIRE: Min 75C SUPPLY CONDUCTORS. This fixture requires that the branch supply wires be rated: MIN 75C. Most dwellings built before 1985 have supply wire rated 60C. **CONSULT A QUALIFIED ELECTRICIAN TO ENSURE CORRECT BRANCH CIRCUIT CONDUCTOR.**

All electrical connections and the installation of this fixture must be in agreement with local codes, ordinances or the NEC (National Electric Code) or CEC (Canadian Electrical Code).

Do not connect this fixture to an electrical system that does not provide a means for equipment grounding.