



MILO 4

MINI SCONCES WALL

location:
DAMP

SPECIFICATIONS:

DESCRIPTION

Wall-mounted sconce featuring handcrafted ball jar glass.

LAMPING

Standard: 60W T10 Medium-based 120V incandescent, suitable for dimming, not included.

Edison: 40W Edison Filament Medium-based, 120V, lamp included.

LED Edison: 7W Replaceable S-Style LED Filament lamp, 120V, dimmable, 2200°K CCT, 540 lumens, 15,000 hours, lamp included.

DIFFUSER

Shades shall be handcrafted ball jar glass of various decors.

CONSTRUCTION

Fixture utilizes gooseneck arm assembly and stamped steel canopy (6" H), with plated metal finish.

METAL FINISH

Fixture shall be finished in Black.

MOUNTING

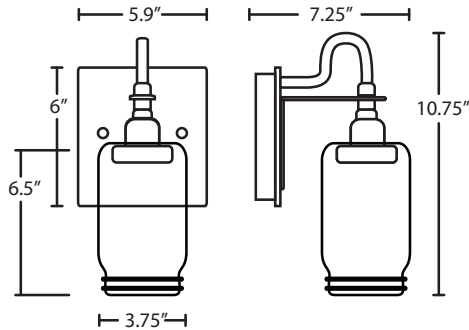
Installs directly to a 4" octagonal outlet box. Orient upward or downward, wall-mount only.

LABELS

UL or ETL Listed. Suitable for Damp Locations (interior use only).



WHITE FROST (MILO4WF)



ORDERING:

FIXTURE	GLASS OPTIONS	LAMP OPTIONS	METAL FINISH
1WG Sconce	MILO4AM Amber MILO4GR Green MILO4PL Purple MILO4SM Smoke MILO4WF White Frost	(blank) 60W A19 Incan EDI 40W Edison EDIL 7W LED Filament	BK Black
Ex. 1WG-MILO4PL-BK Milo 4 Mini Sconce, Purple Glass, Black Finish			

Project Information:



All dimensions provided are nominal. Allowance must be made for dimensional tolerance in handcrafted glasses.

REV 1/17