



SILHOUETTE 28 / 36

LINEAR SUSPENSION

location:
DAMP

SPECIFICATIONS:

DESCRIPTION

Cable-hung linear pendant with handcrafted glass diffuser.

LAMPING

Standard: 40W low-pressure G9 Halogen 120V lamps, included.
Lamps are suitable for use in an open fixture.

LED: 5W Replaceable source, 120V, dimmable, 80+ CRI, 3000°K CCT, 450 lumens, 25,000 hours, lamp included.

DIFFUSER

Shade shall be handcrafted glass of various decors.

Silhouette 28 #4454XX: 27.625" L x 5.5" W x 6.375" H (3x lamps)

Silhouette 36 #4455XX: 35.5" L x 5.875" W x 6.75" H (4x lamps)

CORD

Standard cord is 10' AWM-type. Clear or bronze tint coordinates with metal finish. 2x 18" cord sleeves for optional use included. See next page for ordering additional sleeves.

CANOPY

Canopy (10.0" x 4.5" x 1" H) is plated stamped steel, with 2x 10' stainless steel cable support.

METAL FINISH

Canopy, linear fixture and glass retainer hardware shall be finished in Bronze, Polished Nickel or Satin Nickel.

MOUNTING

Installs directly to a 4" octagonal ceiling box. Suitable for sloped ceilings.

LABELS

UL or ETL Listed. Suitable for Damp Locations (interior use only).



SILHOUETTE SHOWN IN MIRROR FROST UNLIT & LIT

OPAL CUT



OPAL GLOSSY



For ordering information, see next page

All dimensions provided are nominal.
Allowance must be made for dimensional tolerance in handcrafted glasses.

REV 1/17



ORDERING:

Silhouette 28: #4454XX

FIXTURE	DECOR	LAMP OPTIONS	METAL FINISH
LS3 3x 40W	445406 Opal Glossy	(blank) 3x 40W Hal	BR Bronze
	445410 Opal Cut	LED 3x 5W LED,	PN Polished Nickel
	4454MR Mirror Frost	dimnable	SN Satin Nickel

Silhouette 36: #4455XX

FIXTURE	DECOR	LAMP OPTIONS	METAL FINISH
LS4 4x 40W	445510 Opal Cut	(blank) 4x 40W Hal	BR Bronze
	4455MR Mirror Frost	LED 4x 5W LED,	PN Polished Nickel
		dimnable	SN Satin Nickel

Ex. LS3-445410-SN
3 Lt. Linear Pendant w/ Opal Cut Glass,
Satin Nickel Finish

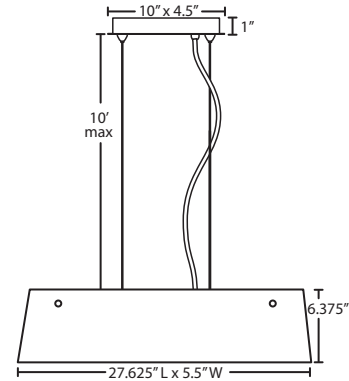
PENDANT OPTIONS:

Silhouette 28:

Glass: 27.625" L x 5.5" W x 6.375" H

LS3 Fixture:

3x 40W G9 Halogen lamps, 120V

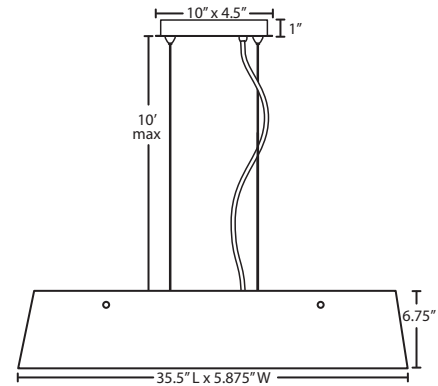


Silhouette 36:

Glass: 35.5" L x 5.875" W x 6.75" H

LS4 Fixture:

4x 40W G9 Halogen lamps, 120V



ACCESSORIES:

ADDITIONAL CORD SLEEVES:

Each linear pendant includes two 18" metal sleeves (0.25" dia.) for optional use, to cover the cord. Additional sleeves may be ordered. Field-cuttable.

T118-SN Satin Nickel

T118-BR Bronze



LS Canopy: 10" x 4.5" x 1" H

Project Information: