

CEILING FIXTURE INSTALLATION GUIDE

Models using Sophi Series (G9 Halogen 120V)



BESA LIGHTING

6695 Taylor Rd. Blacklick, OH 43004
www.besalighting.com

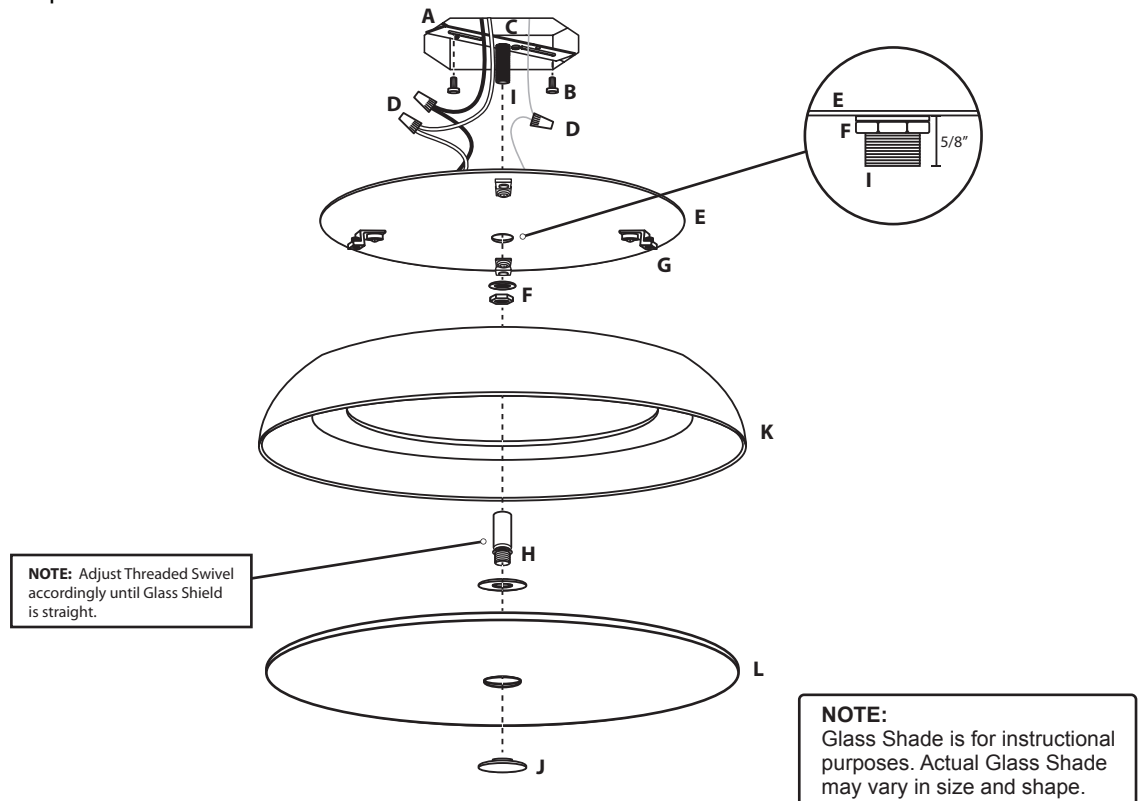
Sophi14_HAL, Rev.1 5-15

Caution: Turn off power to electrical box before installing

Use With these Models:

- Sophi 14

1. Carefully unpack parts. Install Mounting Bracket (A) onto Outlet box and secure with Machine Screws (B).
2. Connect the house supply ground wire to the fixture ground wire and secure with wirenut provided (D).
3. Connect the electrical leads from the fixture to the house supply wires, black to black and white to white, and secure with wirenuts provided (D).
4. Install Fixture Pan (E) to Mounting Bracket (A) by aligning opening in Fixture Pan to Threaded Nipple of the Mounting Bracket and securing it in place with Washer and Hex Nut (F).
NOTE: There should be approximately 1/2" of Threaded Nipple extending past the Fixture Pan opening.
5. Install Glass (K) onto Fixture Pan (E) by loosening the Clips (G) and sliding the inner lips of the Glass underneath the Clips (G). Then tighten Clips (G) down to secure Glass (K) in place.
6. Install Lamps.
7. Install the Threaded Swivel and Washer (H) onto Threaded Nipple (I) of the Mounting Bracket, then install the Glass Shield (L) with the Decorative Cap (J).
8. Restore power.



CAUTION-RISK OF FIRE: Min 90C SUPPLY CONDUCTORS. This fixture requires that the branch supply wires be rated: MIN 90C. Most dwellings built before 1985 have supply wire rated 60C.
CONSULT A QUALIFIED ELECTRICIAN TO ENSURE CORRECT BRANCH CIRCUIT CONDUCTOR.

All electrical connections and the installation of this fixture must be in agreement with local codes, ordinances or the NEC (National Electric Code) or CEC (Canadian Electrical Code).

Do not connect this fixture to an electrical system that does not provide a means for equipment grounding.

CEILING FIXTURE INSTALLATION GUIDE

Models using Sophi Series (G9 Halogen 120V)



BESA LIGHTING

6695 Taylor Rd. Blacklick, OH 43004
www.besalighting.com

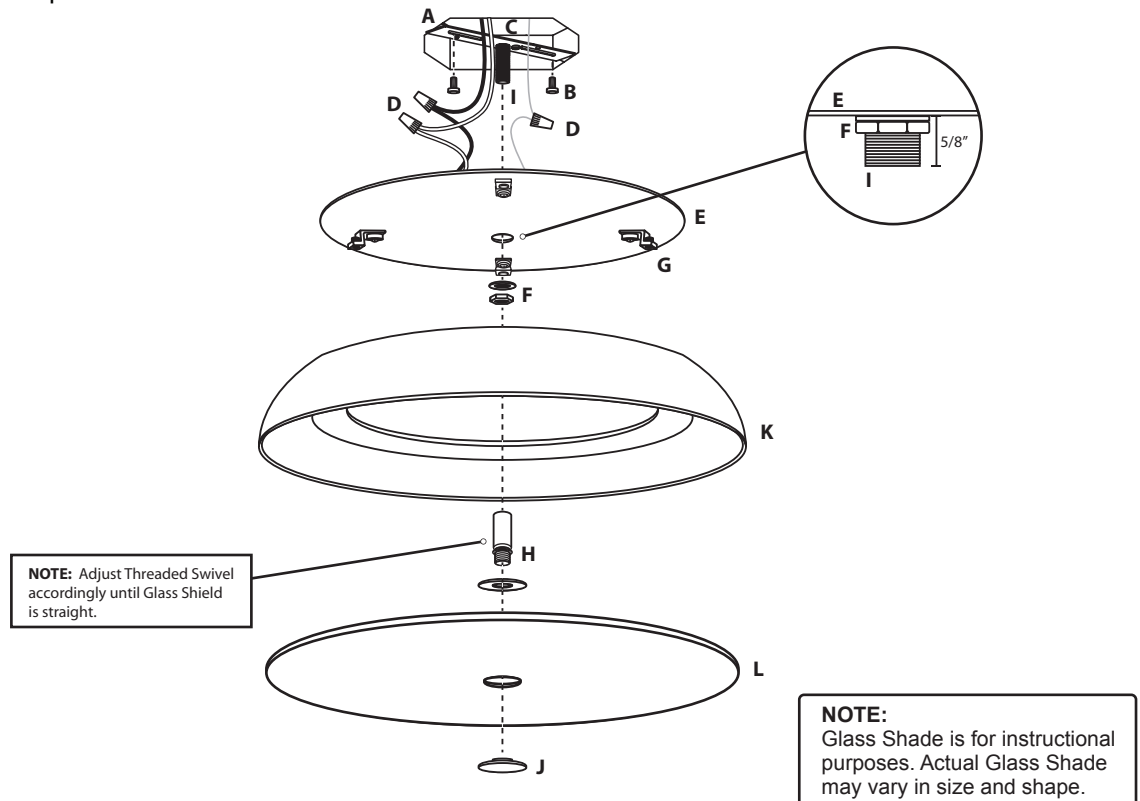
Sophi18_HAL, Rev.1 5-15

Caution: Turn off power to electrical box before installing

Use With these Models:

- Sophi 18

1. Carefully unpack parts. Install Mounting Bracket (A) onto Outlet box and secure with Machine Screws (B).
2. Connect the house supply ground wire to the fixture ground wire and secure with wirenut provided (D).
3. Connect the electrical leads from the fixture to the house supply wires, black to black and white to white, and secure with wirenuts provided (D).
4. Install Fixture Pan (E) to Mounting Bracket (A) by aligning opening in Fixture Pan to Threaded Nipple of the Mounting Bracket and securing it in place with Washer and Hex Nut (F).
NOTE: There should be approximately 5/8" of Threaded Nipple extending past the Fixture Pan opening.
5. Install Glass (K) onto Fixture Pan (E) by loosening the Clips (G) and sliding the inner lips of the Glass underneath the Clips (G). Then tighten Clips (G) down to secure Glass (K) in place.
6. Install Lamps.
7. Install the Threaded Swivel and Washer (H) onto Threaded Nipple (I) of the Mounting Bracket, then install the Glass Shield (L) with the Decorative Cap (J).
8. Restore power.



CAUTION-RISK OF FIRE: Min 90C SUPPLY CONDUCTORS. This fixture requires that the branch supply wires be rated: MIN 90C. Most dwellings built before 1985 have supply wire rated 60C. CONSULT A QUALIFIED ELECTRICIAN TO ENSURE CORRECT BRANCH CIRCUIT CONDUCTOR.

All electrical connections and the installation of this fixture must be in agreement with local codes, ordinances or the NEC (National Electric Code) or CEC (Canadian Electrical Code).

Do not connect this fixture to an electrical system that does not provide a means for equipment grounding.