

# GLASS SHADE INSTALLATION GUIDE

Model J Series -03 (Med. Base Pendant Set 120V)



BESA LIGHTING

6695 Taylor Rd. Blacklick, OH 43004  
www.besalighting.com

JKIT.03, Rev.7 12-11

**IMPORTANT:** For installation of pendants and wiring, please refer to the **Fixture Installation Guide** included with fixture canopy

## Use With these Models:

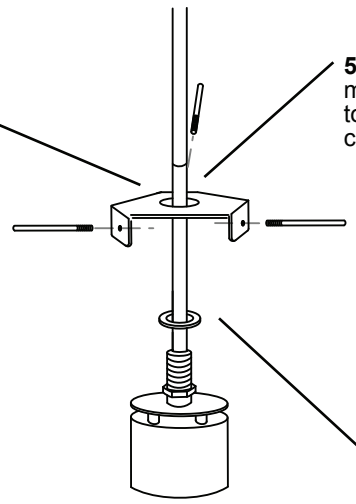
- Cierro (4124xx)

1. Secure Glass Shade per the diagram, then install bulb per label on luminaire.
2. Restore power.

Install the glass shade by positioning up over the lampholder and then threading the Threaded Posts into the Center Fitter.

**The Center Fitter,** must be installed prior to installing cord into the ceiling canopy.

**5" Cord Sleeve,** must be installed prior to installing cord into the ceiling canopy.



**Decorative Posts\***

\*-Decorative Posts provided may vary in appearance, than as shown

**Existing Small Washer**

**NOTE:**  
Glass Shade is for instructional purposes. Actual Glass Shade may vary in size and shape.

All electrical connections and the installation of this fixture must be in agreement with local codes, ordinances or the NEC (National Electric Code) or CEC (Canadian Electrical Code).  
Do not connect this fixture to an electrical system that does not provide a means for equipment grounding.

### Replacement parts for this 120V Voltage Pendant Set are as follows:

#TJ310C100-SN.03 - 100W 10' clear cordset with Nickel Hardware

For Bronze cordset, use "Z" in place of "C" and "BR" in place of "SN". For 15' cordset, use "315" in place of "310"