

FIXTURE INSTALLATION GUIDE

Model B0001wet, B0002wet, B0003wet, B0004wet
(Outdoor Wall Sconces 120V)

B0001wet,B0002wet,B0003wet,B0004wet, Rev.3 8-10

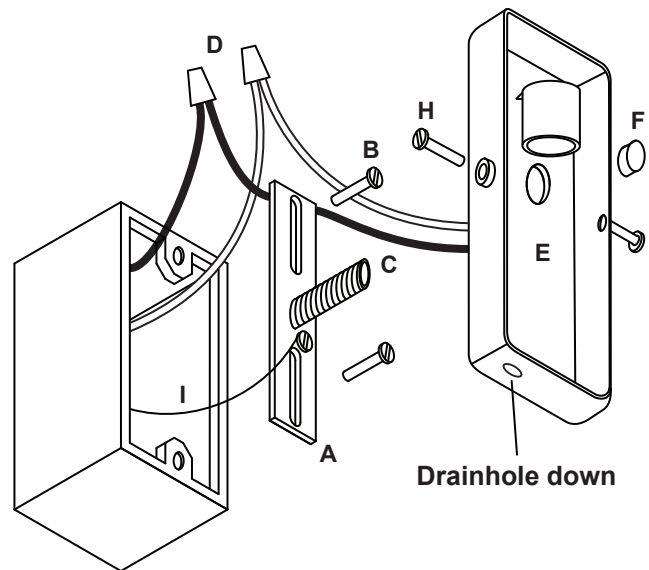


BESA LIGHTING

6695 Taylor Rd. Blacklick, OH 43004
www.besalighting.com

CAUTION: Turn off power to electrical box before installing

1. Disconnect power to outlet box at main electric box.
2. Fasten the mounting strap (A) to the outlet box using machine screws (B) which should be found in the box.
3. Turn the threaded nipple (C) into the center hole in the mounting strap.
4. Attach the branch circuit ground wire (I) to the green screw on the mounting strap.
5. Hold the fixture canopy (E) close to the outlet box and connect the fixture wires to the house supply wires (black to black and white to white). Tighten securely with wire nuts (D). Carefully push wires and wire nuts back into the box.
6. Place the fixture canopy against the wall over the outlet box **oriented with the drainhole down** of the canopy, so that the threaded nipple protrudes through the hole on the canopy. Place the cap nut (F) onto the threaded nipple and tighten securely.
7. Partially install the retaining screws (H) into the canopy.
8. **IMPORTANT:** IN ORDER TO COMPLY WITH ESTABLISHED ELECTRICAL CODE, THE INSTALLER MUST SEAL THE AREA AROUND THE FIXTURE CANOPY, BETWEEN THE CANOPY AND THE WALL, WITH A TYPE OF CAULKING COMPOUND SUCH AS SILICONE RUBBER TO PROVIDE A WATERTIGHT SEAL IN ACCORDANCE WITH THE DIFFERING SURFACE TEXTURES OF THE WALL.
9. With the power still off, insert bulb of not more than the recommended wattage.



GLASS INSTALLATION

10. Place the glass/metal frame unit to the canopy (E). Seat the neck of glass with metal frame (G) fully into the canopy (see Fig.A). Then secure by tightening the set screw (H) to be sure the glass/metal frame is fully seated into the canopy.

DO NOT OVERTIGHTEN THE RETAINING SCREWS, MAY CAUSE DAMAGE TO GLASS.

11. Restore the power.

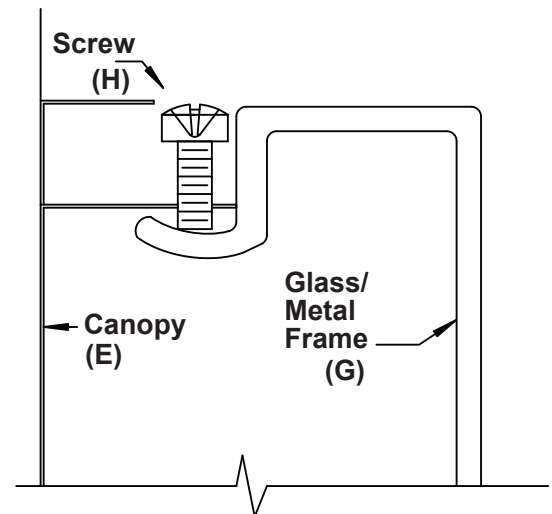


Fig. A

All electrical connections and the installation of this fixture must be in agreement with local codes, ordinances or the NEC (National Electric Code) or CEC (Canadian Electrical Code). Do not connect this fixture to an electrical system that does not provide a means for equipment grounding.