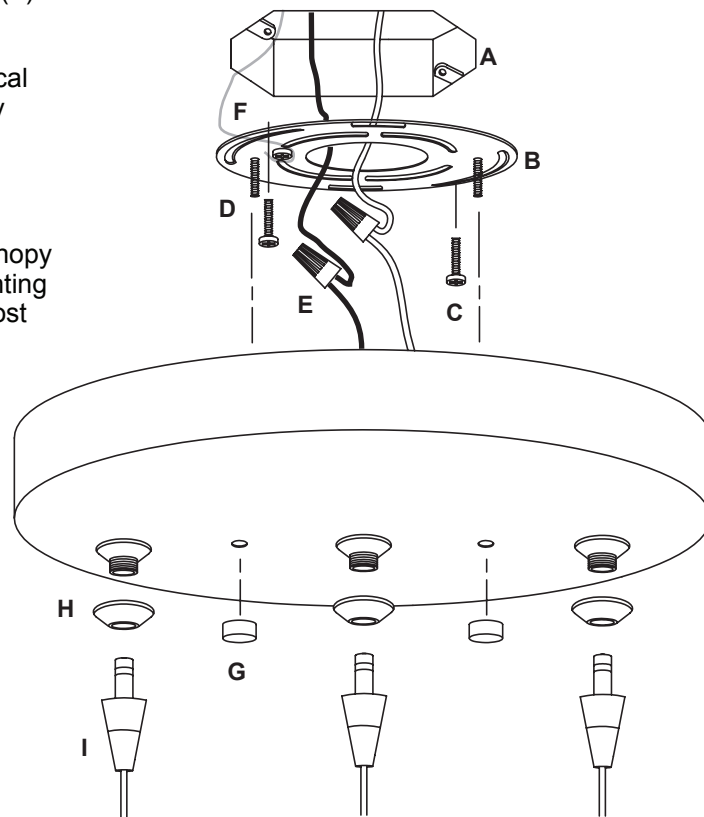




Caution: Turn off power to electrical box before installing

1. Carefully unpack parts. Remove existing Screws (C) from the Supply Box (A), then secure the Mounting Bracket (B) to the Supply Box with same Screws. Screws are provided if necessary.
2. Secure the house ground wire to the Mounting Bracket using the green screw (F).
3. To install the Canopy, connect the electrical leads from the fixture to the house supply wires, black to black and white to white, and secure with wirenuts provided (E).
4. Align the two circular openings of the Canopy with the Threaded Posts (D) on the Mounting Bracket. Push the canopy up over the post until tight to ceiling, then secure with the decorative Cap Nuts (G).



5. Place the Decorative Cap (H) over the threaded nipple on the canopy, then attach the Besa Quick Connect Element (I). The Besa Quick Connect Element is furnished separately.

IMPORTANT: If using skyhooks with pendant elements, remember to factor the additional cord length required prior to cutting cord.

6. For assembly of the glass shade, please refer to the **GLASS SHADE INSTALLATION GUIDE** that is included in with the pendant cord sets.

7. Restore power.

All electrical connections and the installation of this fixture must be in agreement with local codes, ordinances or the NEC (National Electric Code) or CEC (Canadian Electrical Code).
Do not connect this fixture to an electrical system that does not provide a means for equipment grounding.