

FIXTURE INSTALLATION GUIDE

Model T23XQ/T23XL (Low Voltage Quick-Connect Canopy)



BESA LIGHTING

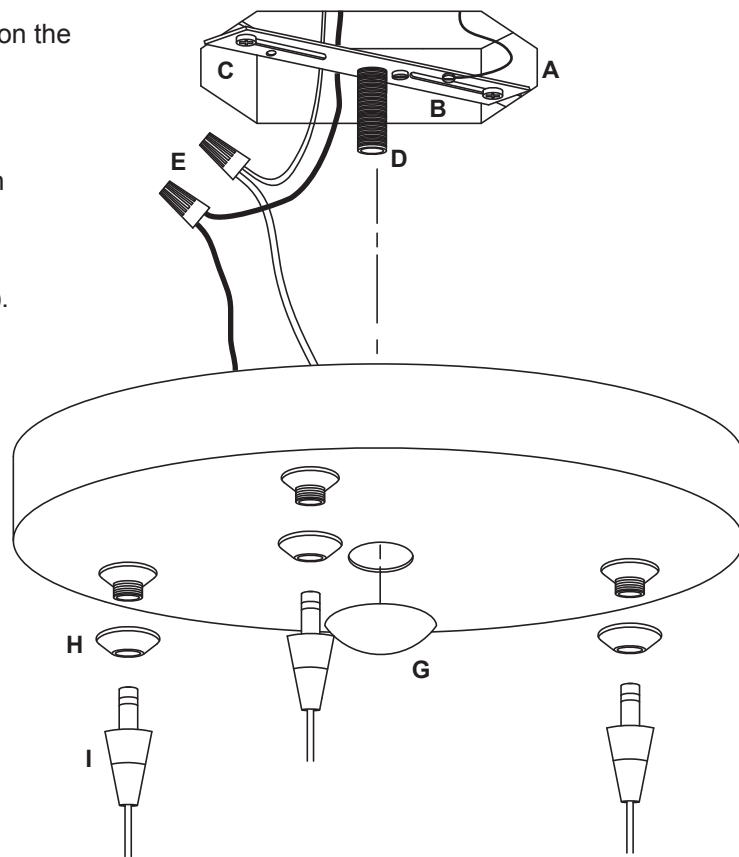
6695 Taylor Rd. Blacklick, OH 43004
www.besalighting.com

T23XQ-23XL, Rev.4 6-14

Caution: Turn off power to electrical box before installing

1. Carefully unpack parts. Remove existing Screws (C) from the Supply Box (A), then secure the Mounting Bracket (B) to the Supply Box with same Screws. Screws are provided if necessary.
2. To install the Canopy, connect the electrical leads from the fixture to the house supply wires, black to black and white to white, and secure with wirenuts provided (E). Connect the house supply ground wire to Green Ground Screw on the Mounting Bracket (B).
3. Align the circular opening of the Canopy with the Threaded Nipple (D) on the Mounting Bracket. Push the canopy up over the Threaded Nipple until tight to ceiling, then secure with the Decorative Cap Nut (G).

NOTE: Canopy shown is for instructional purposes only, actual canopy may vary in size.



4. Place the Decorative Cap (H) over the threaded nipple on the canopy, then attach the Besa Quick Connect Element (I). The Besa Quick Connect Element is furnished separately.

IMPORTANT: If using skyhooks with pendant elements, remember to factor the additional cord length required prior to cutting cord.

5. For assembly of the glass shade, please refer to the **GLASS SHADE INSTALLATION GUIDE** that is included in with the pendant cord sets.
6. Restore power.

All electrical connections and the installation of this fixture must be in agreement with local codes, ordinances or the NEC (National Electric Code) or CEC (Canadian Electrical Code).
Do not connect this fixture to an electrical system that does not provide a means for equipment grounding.