



SOSA 18

SCONCES WALL

location:
DAMP

SPECIFICATIONS:

DESCRIPTION

Wall-mounted sconce featuring tapered cylinder glass shade.

LAMPING

Standard: 100W Medium-based 120V, lamp not included. Dimmable with standard incandescent dimmer (not included).

LED: 8W Replaceable source, 120V, dimmable, 90+ CRI, 3000°K CCT, 800 lumens, 30,000 hours, lamp included.

DIFFUSER

Shade shall be of glass with inner metallic foil. 7.125" Dia. x 18" H

CONSTRUCTION

Steel fitter and canopy-cover. Glass is secured by steel set screws.

METAL FINISH

Plated Black or White.

MOUNTING

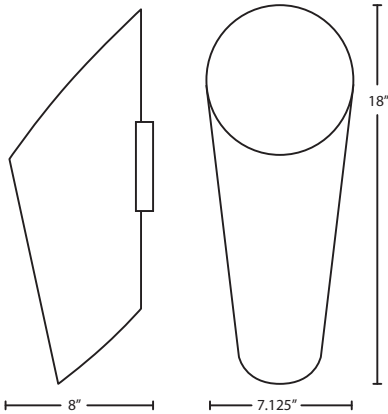
Installs directly to a 4" octagonal outlet box. Orient upward or downward, wall-mount only.

LABELS

UL Listed. Suitable for Damp Locations (interior use only).



BLACK/INNER GOLD FOIL (SOSA18GF) & WHITE/INNER SILVER FOIL (SOSA18SF)



ORDERING:

FIXTURE	LAMP OPTIONS
SOSA18GF Black/Inner Gold Foil	(blank) 100W A19 Incan
SOSA18SF White/Inner Silver Foil	LED 8W LED

Ex. SOSA18SF-LED
Sosa 18 Sconce, White/Inner Silver Foil Shade

Project Information:

All dimensions provided are nominal. Allowance must be made for dimensional tolerance in handcrafted glasses.

REV 12/18