

# INSTALLATION GUIDE

Model 1KS Series -01, 02, 03 (Med. Base Pendant Set 120V)

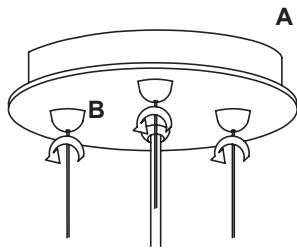


BESA LIGHTING

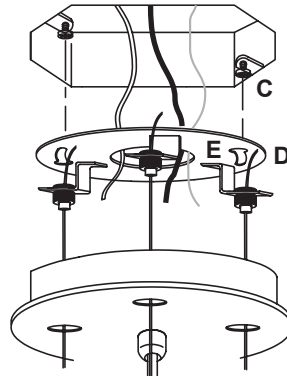
6695 Taylor Rd. Blacklick, OH 43004  
www.besalighting.com

1KS.01-02-03, Rev.1 5-16

**Caution: Turn off power to electrical box before installing**

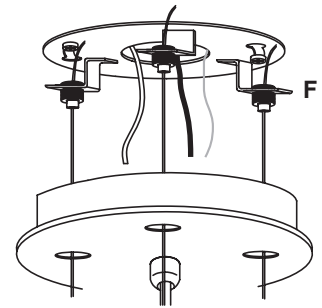


1. Carefully unpack parts. Remove the Canopy (A) from the Mounting Plate by unscrewing the three (3) Retainers. Fully remove the Retainers from the threaded nipple, then pull the canopy from the Mounting Plate.



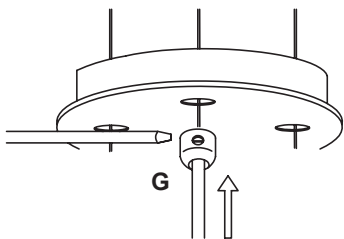
2. Install the provided Mounting Screws (C) into the Outlet Box, leaving 1/4" of threading as shown. Pull the House Wires from the Outlet Box and extend through the center opening in the Mounting Plate (D).

Align the circular openings of the Keyhole Slots (E) with the Screws then push the Mounting Plate up over the Outlet Box. Rotate the Mounting Plate and secure with Mounting Screws.



3. Shorten the three (3) cables to the desired length by pushing the cable up through the Cable Retainers (F). Trim off the excess cable length, leaving about 3" of slack for final adjustment.

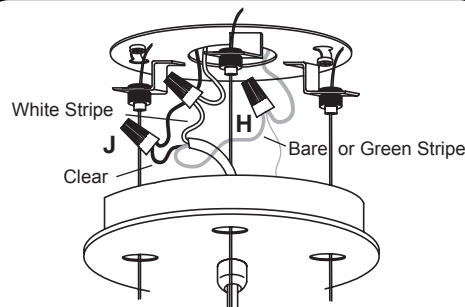
To lower the cables, push the Cable Retainer up, which will release the cable and allow it to be lowered.



4. Prior to installing the canopy, the cord length must be adjusted. Loosen the set screw on the Strain Relief (G), the feed the cord up through until reaching the desired length. Tighten the set screw until the cord is firmly in place.

**NOTE:** For a curvy cord appearance, leave about 25% slack for shaping of the cord

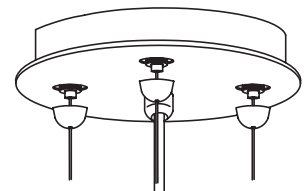
Once the cord length has been adjusted, the cord must be shortened above the canopy. When shortened, insure that there is 6" or more of wire above the canopy.



5. Attach the the bare copper fixture ground wire and bare (or green striped) ground conductor from the cord to the supply ground and secure with provided Wire Nut Connector (H). Connect the cord conductors from the fixture cord to the supply conductors with Wire Nut Connectors (J) as shown: Cord conductor with white stripe to white supply wire and clear cord conductor to black supply wire.

**NOTE:**

When using the clear style cord, it is advised that the installer confirm the polarity per instructions on the next page.



6. Prior to replacing the canopy, push the house wiring and wrenuts up through the center opening and into the Outlet Box.

Push the canopy up tight to the ceiling as shown, then secure with the Retainers. Do not overtighten the retainers, as this could make it difficult to remove.

# INSTALLATION GUIDE

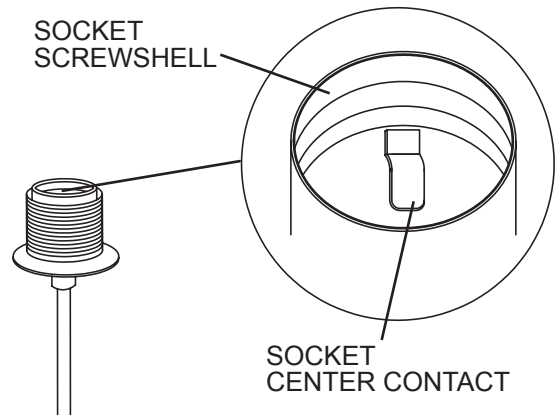
## Use With these Models:

- Pahu 8 (x00607)
- Tamburo 8 (4006xx)
- Pahu 12 (x18407)
- Tamburo 12 (4184xx)
- Pahu 16 (x00707)

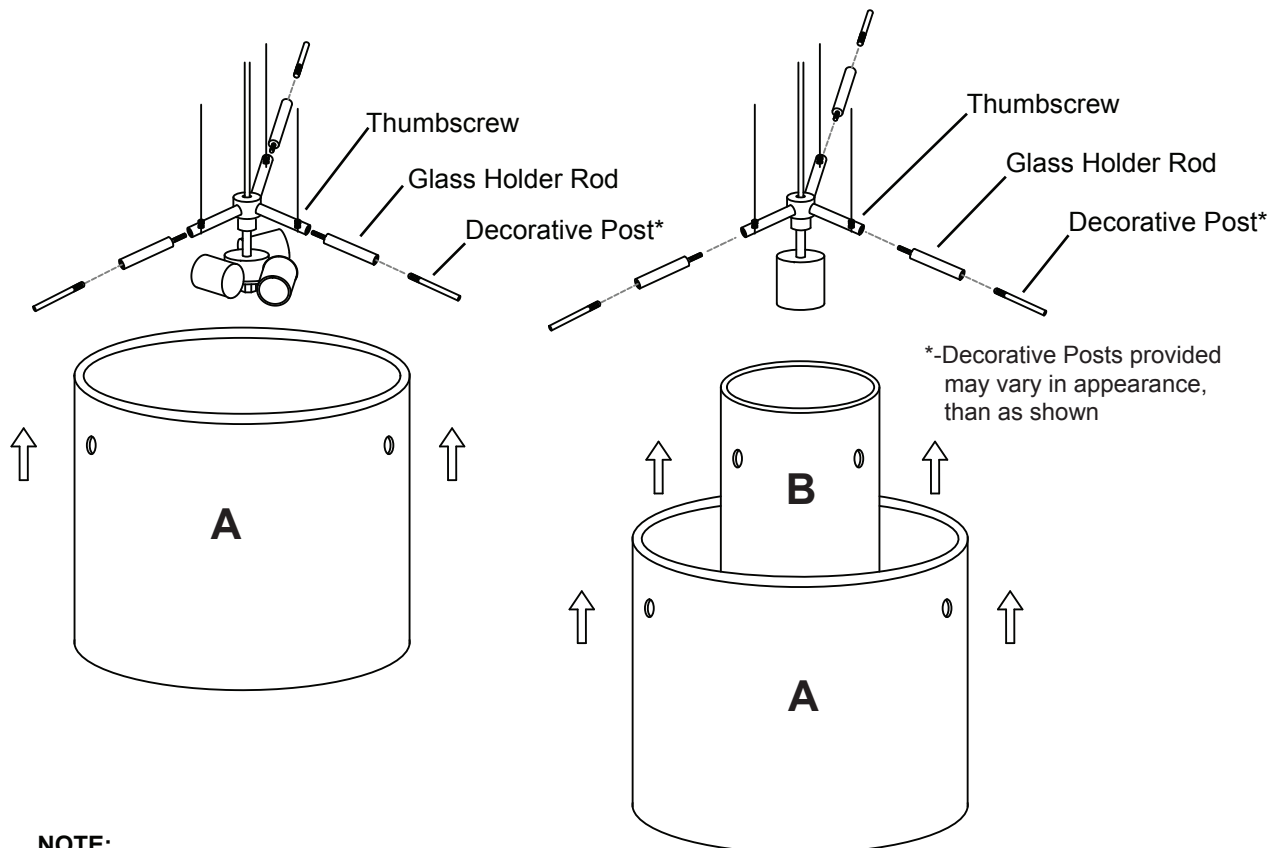
## POLARITY INSTRUCTIONS

Using a Continuity Tester or Multimeter, confirm the following connections:

- Clear Conductor with White Stripe (Neutral/White) is connected to the Socket Screws. This wire is to be connected to house supply white conductor.
- Clear Conductor (Hot/Black) is connected to the Socket Center Contact. This wire is to be connected to house supply black wire.



7. For a single Glass Shade luminaire, secure Glass Shade (A), per Left Hand diagram below, using Glass Holder Rods and Decorative Posts. For a double Glass Shade luminaire, secure Inner Glass Shade (B) first, per Right Hand diagram below, using the Glass Holder Rods, then secure Outer Glass Shade (A) using the Decorative Posts. Adjust Glass Holder Rods to ensure proper fit of the Decorative Posts.
8. Install bulb per label on luminaire.
9. Final balance adjustments, if necessary, can then be made by turning the Thumbscrews located on the top of the mounting bracket.
10. Restore power.



**NOTE:**  
Glass Shade is for instructional purposes.  
Actual Glass Shade may vary in size and shape.

All electrical connections and the installation of this fixture must be in agreement with local codes, ordinances or the NEC (National Electric Code) or CEC (Canadian Electrical Code).  
Do not connect this fixture to an electrical system that does not provide a means for equipment grounding.