

FIXTURE INSTALLATION GUIDE

Model 1SW Series (Groove Glasses)
(One Light G9 Base Wall Sconce 120V)

1SW.96, Rev.3 11-13



BESA LIGHTING

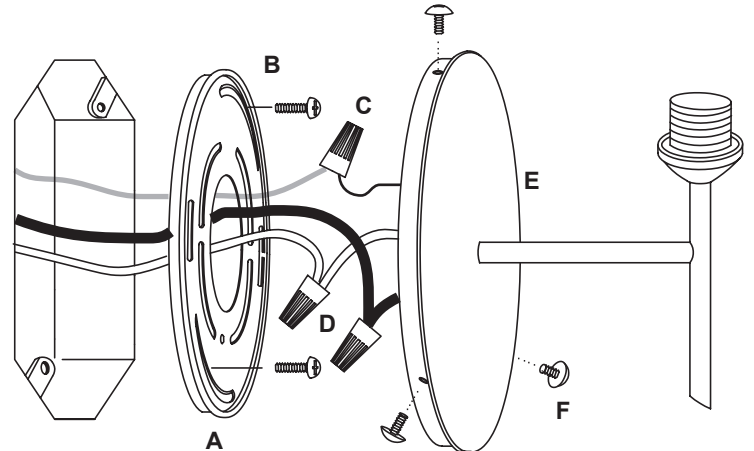
6695 Taylor Rd. Blacklick, OH 43004
www.besalighting.com

Use With these Models:

- SW Groove
(6773MR)

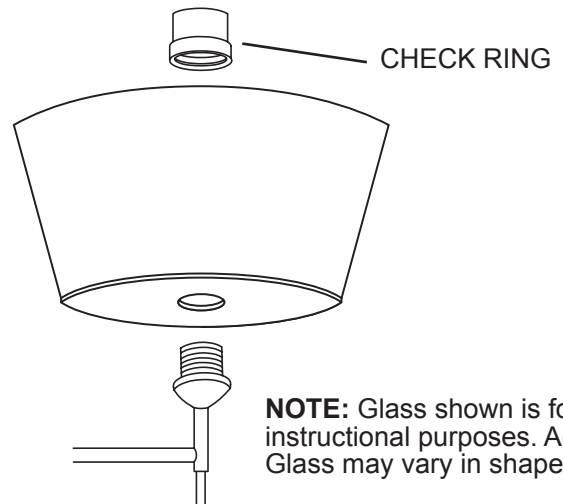
CAUTION: Turn off power to electrical box before installing

1. Carefully unpack parts. Loosen Allen Head Screws (F) to release the Mounting Plate (A) from Canopy.
2. Secure the Mounting Plate (A) to the Electrical Supply Box with Machine Screws (B) provided.
3. Attach the fixture Ground wire to the supply ground and secure with Wire Nut Connector (C).
4. Connect the fixture conductors to the supply conductors with Wire Nut Connectors (D) as shown: White fixture wire to white supply wire and black fixture wire to black supply wire. Carefully push wires and wire nuts back into outlet box.
5. Position the Canopy (E) over the Mounting Plate and secure by tightening the Allen Head Screws (F) with the Allen Wrench provided.



NOTE: Fixture shown is for instructional purposes. Canopy Backplate shape will vary by Model Number.

6. Install the Glass Shade per diagram.
7. Install bulb provided (Type G9) and restore power



NOTE: Glass shown is for instructional purposes. Actual Glass may vary in shape or size

All electrical connections and the installation of this fixture must be in agreement with local codes, ordinances or the NEC (National Electric Code) or CEC (Canadian Electrical Code).
Do not connect this fixture to an electrical system that does not provide a means for equipment grounding.