

# FIXTURE INSTALLATION GUIDE

Model 1WE Series (One Light Metro Wall Sconce 120V)



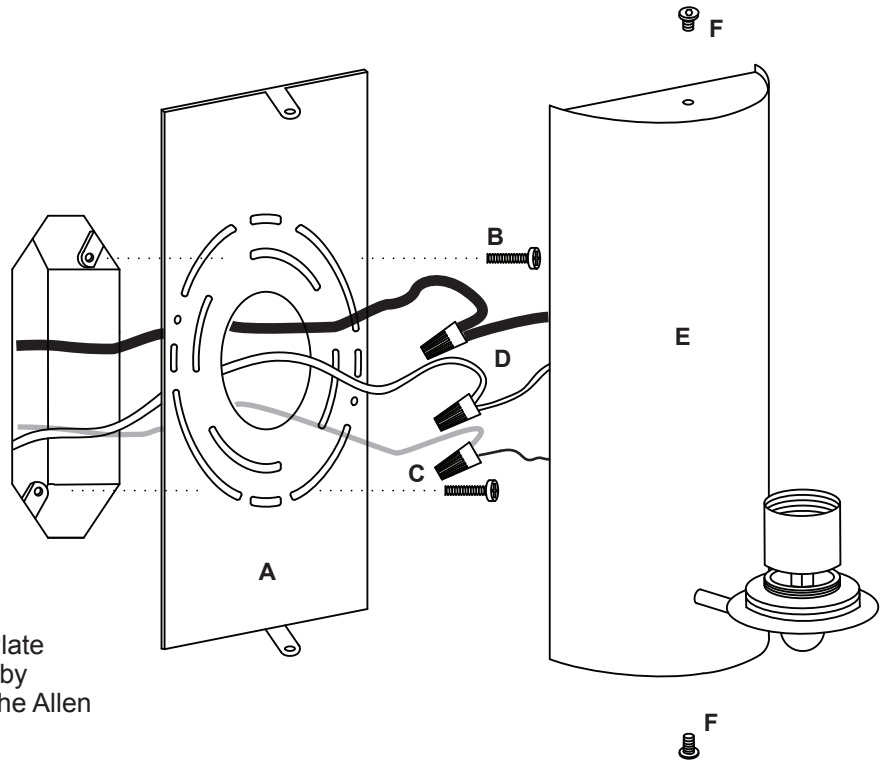
BESA LIGHTING

6695 Taylor Rd. Blacklick, OH 43004  
www.besalighting.com

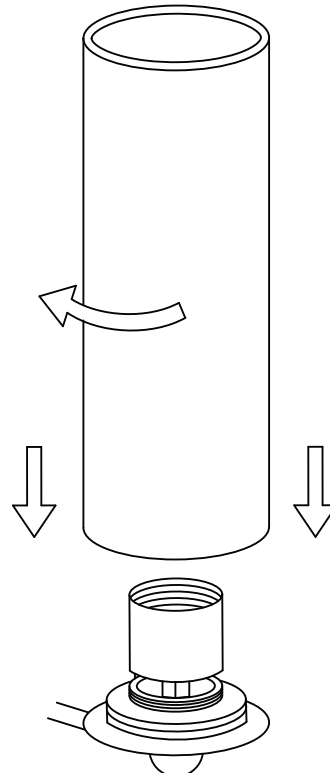
1WE, Rev.1 8-10

**CAUTION:** Turn off power to electrical box before installing

1. Carefully unpack parts. Loosen Allen Head Screws (F) to release the Mounting Plate (A) from Canopy.
2. Secure the Mounting Plate (A) to the Electrical Supply Box with Machine Screws (B) provided.
3. Attach the fixture Bare Ground wire to the supply ground and secure with Wire Nut Connector (C).
4. Connect the fixture conductors to the supply conductors with Wire Nut Connectors (D) as shown: White fixture wire to white supply wire and black fixture wire to black supply wire. Carefully push wires and wire nuts back into outlet box.
5. Position the Canopy (E) over the Mounting Plate and align the holes in the Mounting Plate tabs with the holes in the Canopy. Secure by tightening the Allen Head Screws (F) with the Allen Wrench provided.



6. With the power still off, insert the bulb, of not more than the labeled wattage.
7. Install the Glass Shade per diagram.
8. Restore power.



All electrical connections and the installation of this fixture must be in agreement with local codes, ordinances or the NEC (National Electric Code) or CEC (Canadian Electrical Code). Do not connect this fixture to an electrical system that does not provide a means for equipment grounding.