

FIXTURE INSTALLATION GUIDE

Models 1WS Series (One Light Vanity 120V)



BESA LIGHTING

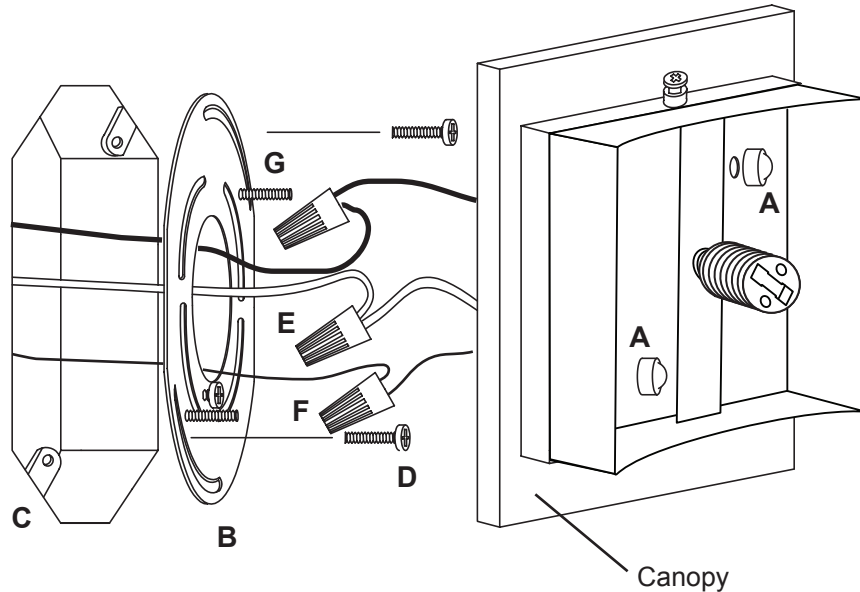
6695 Taylor Rd. Blacklick, OH 43004
www.besalighting.com

1WS.01, Rev.1 4-13

Caution: Turn off power to electrical box before installing

Use With these Models:

- 1WS Pogo (7180xx)

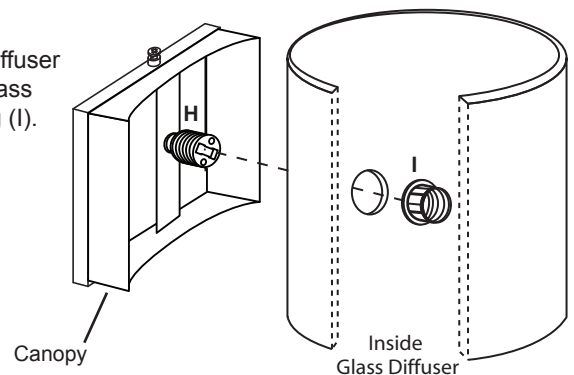


1. Carefully remove parts from package.
2. Remove the two Cap Nuts (A) to release the Backplate from the Mounting Bracket (B).
3. Attach the Mounting Bracket to the Outlet Box (C) with two Machine Screws (D) provided.
4. Connect the electrical leads from the fixture to the house supply wires, black to black and white to white, and secure with wirenuts provided (E). Connect the House Ground Wire to the Bare Copper Lead from the fixture, and secure with wirenut provided (F).
5. Align the circular openings on the Canopy with the Threaded Posts (G) on the Mounting Bracket. Push the Canopy over the Threaded Posts until the Canopy is flush with the wall, then secure with the Cap Nuts.
6. With the power still off, insert bulb of not more than the labeled wattage. Install Glass Diffuser.

GLASS INSTALLATION:

Install Glass Diffuser by aligning hole of Glass Diffuser with the socket of the Fixture (H). Then install Glass Diffuser onto Fixture by threading on Check Ring (I).

NOTE: Glass Diffuser shown is for example purposes, the actual Glass Diffuser may be different in appearance.



7. Restore power.

All electrical connections and the installation of this fixture must be in agreement with local codes, ordinances or the NEC (National Electric Code) or CEC (Canadian Electrical Code). Do not connect this fixture to an electrical system that does not provide a means for equipment grounding.