

FIXTURE INSTALLATION GUIDE

Model Sputnik and Flower LED (1 Light Low Voltage LED Flat Canopy)



BESA LIGHTING

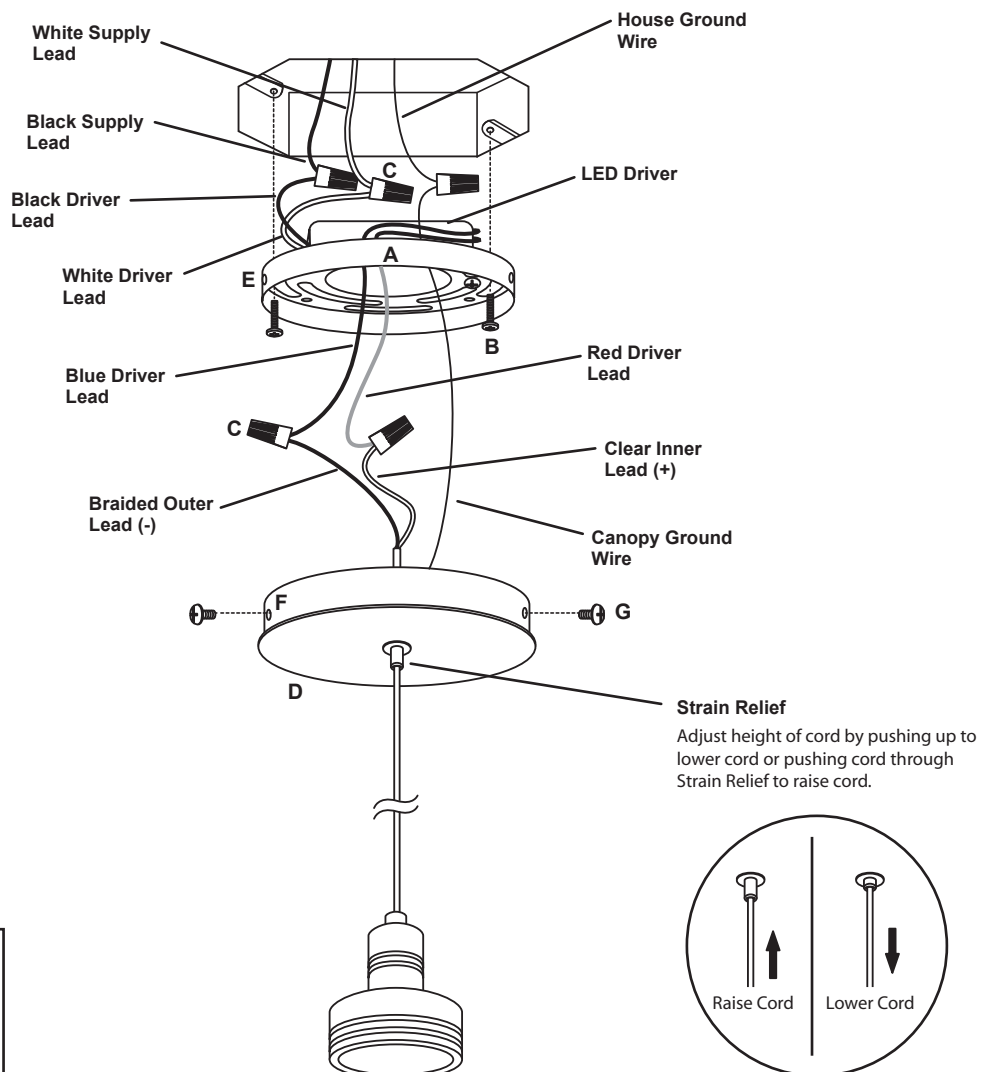
6695 Taylor Rd. Blacklick, OH 43004
www.besalighting.com

1XT_Sputnik_Flower_LED, Rev.1 6-14

IMPORTANT: This 3W LED Pendant requires a constant current driver for proper operation. Incorrect polarity from the driver will result in the LEDs not illuminating.

CAUTION: Turn off power to electrical box before installing

1. Carefully unpack parts. Remove Mounting Plate Screws (G) and Canopy (D) from Mounting Plate (A). Connect the LED Driver Leads to the House Supply Wires with Wire Nut Connectors (C) as shown: Black Driver Lead to Black House Supply Lead, White Driver Lead to White House Supply Lead and House Ground Wire to the Canopy Ground Wire. Secure Mounting Plate (A) to the Outlet Box with Mounting Screws (B).
2. Connect the LED Driver Leads to the Pendant Cord Leads with Wire Nut Connectors (C) as shown: Blue Driver Lead to Braided Outer Lead (-) and Red Driver Lead to Clear Inner Lead (+). Carefully push the wires and wire nuts back into the Outlet Box.
3. Align Canopy Screw Openings (F) with Mounting Plate Screw Openings (E). With the openings aligned, install Canopy (D) onto Mounting Plate (A) by re-installing the Mounting Plate Screws (G) to secure Canopy (D) in place.
4. To raise the pendant cord height, push pendant cord through Strain Relief. The lower cord height, push up the Strain Relief and pull cord down.



All electrical connections and the installation of this fixture must be in agreement with local codes, ordinances or the NEC (National Electric Code) or CEC (Canadian Electrical Code). Do not connect this fixture to an electrical system that does not provide a means for equipment grounding.