

FIXTURE INSTALLATION GUIDE

Models using 2NW Backplate
(Exterior Two Light Wall Sconce 120V)
2NW, Rev.4 8-10

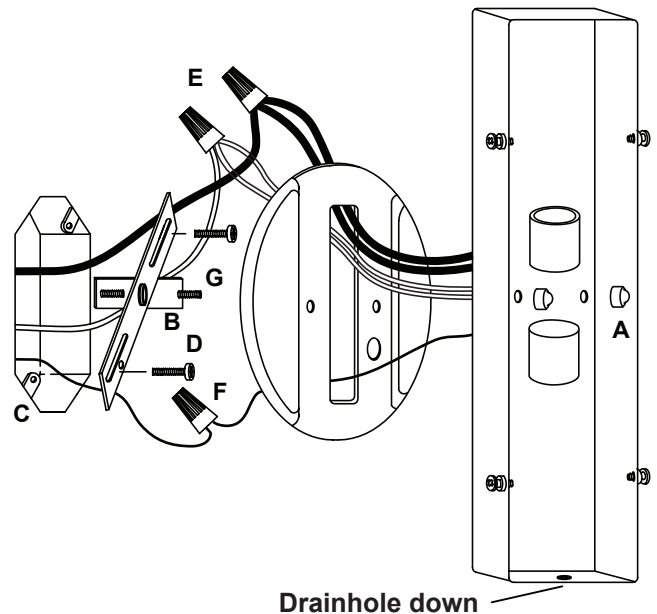


BESA LIGHTING

6695 Taylor Rd. Blacklick, OH 43004
www.besalighting.com

CAUTION: Turn off power to electrical box before installing

1. Carefully remove parts from package.
2. Remove the two Cap Nuts (A) to release the Backplate from the Mounting Bracket (B).
3. Attach the Mounting Bracket to the Outlet Box (C) with two Machine Screws (D) provided.
4. With the Backplate **oriented with the drainhole down**, extend the fixture wiring through the Canopy then connect the electrical leads from the fixture to the house supply wires, black to black and white to white, and secure with wirenuts provided (E). Attach the house ground wire to the bare copper ground lead, then secure with the wirenut provided (F). Push the excess wiring into the Outlet Box.
5. Align the circular openings on the Backplate and Canopy with the Threaded Posts (G) on the Mounting Plate. Push the Canopy and Backplate over the Threaded Posts until the Canopy is flush with the wall, then secure with the Cap Nuts.



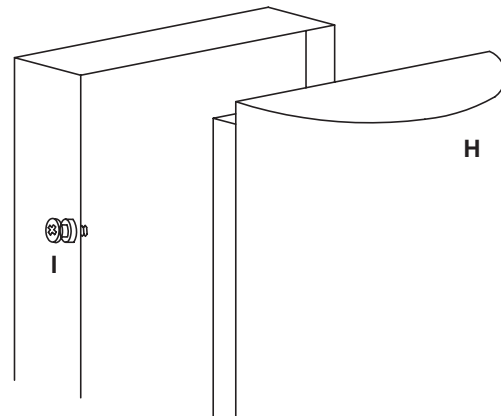
6. **IMPORTANT:** IN ORDER TO COMPLY WITH ESTABLISHED ELECTRICAL CODE, THE INSTALLER MUST SEAL THE AREA AROUND THE FIXTURE CANOPY, BETWEEN THE CANOPY AND THE WALL WITH A TYPE OF CAULKING COMPOUND SUCH AS SILICONE RUBBER TO PROVIDE A WATERTIGHT SEAL IN ACCORDANCE WITH THE DIFFERING SURFACE TEXTURES OF THE WALL.
7. With the power still off, insert 60 Watt Type A15 bulbs.
IMPORTANT: Due to the natural variations that occur with handcrafted glass, it is possible the neck of the glass will require that a smaller diameter bulb be used. If a smaller diameter is needed, use a 60 Watt Type B10 bulb.

GLASS INSTALLATION

8. Gently position Glass Diffuser (H) into the Backplate. Secure with the four retaining screws (I).

DO NOT OVERTIGHTEN THE RETAINING SCREWS, MAY CAUSE DAMAGE TO GLASS

9. Restore power.



NOTE:

Glass Diffuser shown is for example purposes, the actual Glass Diffuser may be different in appearance.

CAUTION--RISK OF FIRE: Min 75C SUPPLY CONDUCTORS. This fixture requires that the branch supply wires be rated: MIN 75C. Most dwellings built before 1985 have supply wire rated 60C. **CONSULT A QUALIFIED ELECTRICIAN TO ENSURE CORRECT BRANCH CIRCUIT CONDUCTOR.**

All electrical connections and the installation of this fixture must be in agreement with local codes, ordinances or the NEC (National Electric Code) or CEC (Canadian Electrical Code). Do not connect this fixture to an electrical system that does not provide a means for equipment grounding.

FIXTURE INSTALLATION GUIDE

Models using 3NW Backplate
(Exterior Three Light Wall Sconce 120V)
3NW, Rev.4 8-10

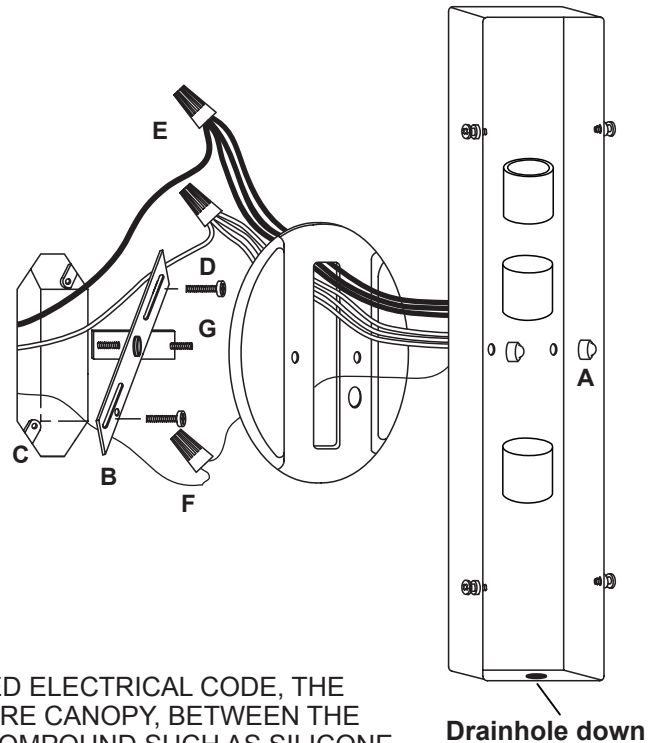


BESA LIGHTING

6695 Taylor Rd. Blacklick, OH 43004
www.besalighting.com

CAUTION: Turn off power to electrical box before installing

1. Carefully remove parts from package.
2. Remove the two Cap Nuts (A) to release the Backplate from the Mounting Bracket (B).
3. Attach the Mounting Bracket to the Outlet Box (C) with two Machine Screws (D) provided.
4. With the Backplate **oriented with the drainhole down**, extend the fixture wiring through the Canopy then connect the electrical leads from the fixture to the house supply wires, black to black and white to white, and secure with wirenuts provided (E). Attach the house ground wire to the bare copper ground lead, then secure with the wirenut provided (F). Push the excess wiring into the Outlet Box.
5. Align the circular openings on the Backplate and Canopy with the Threaded Posts (G) on the Mounting Plate. Push the Canopy and Backplate over the Threaded Posts until the Canopy is flush with the wall, then secure with the Cap Nuts.



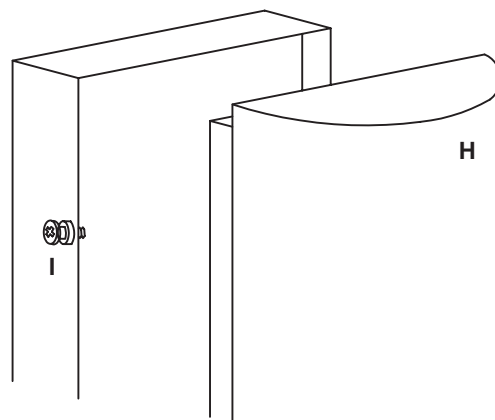
6. **IMPORTANT:** IN ORDER TO COMPLY WITH ESTABLISHED ELECTRICAL CODE, THE INSTALLER MUST SEAL THE AREA AROUND THE FIXTURE CANOPY, BETWEEN THE CANOPY AND THE WALL WITH A TYPE OF CAULKING COMPOUND SUCH AS SILICONE RUBBER TO PROVIDE A WATERTIGHT SEAL IN ACCORDANCE WITH THE DIFFERING SURFACE TEXTURES OF THE WALL.
7. With the power still off, insert 60 Watt Type A15 bulbs.
IMPORTANT: Due to the natural variations that occur with handcrafted glass, it is possible the neck of the glass will require that a smaller diameter bulb be used. If a smaller diameter is needed, use a 60 Watt Type B10 bulb.

GLASS INSTALLATION

8. Gently position Glass Diffuser (H) into the Backplate. Secure with the four retaining screws (I).

**DO NOT OVERTIGHTEN THE RETAINING SCREWS,
MAY CAUSE DAMAGE TO GLASS.**

9. Restore power.



NOTE:

Glass Diffuser shown is for example purposes, the actual Glass Diffuser may be different in appearance.

CAUTION--RISK OF FIRE: Min 75C SUPPLY CONDUCTORS. This fixture requires that the branch supply wires be rated: MIN 75C. Most dwellings built before 1985 have supply wire rated 60C. **CONSULT A QUALIFIED ELECTRICIAN TO ENSURE CORRECT BRANCH CIRCUIT CONDUCTOR.**

All electrical connections and the installation of this fixture must be in agreement with local codes, ordinances or the NEC (National Electric Code) or CEC (Canadian Electrical Code). Do not connect this fixture to an electrical system that does not provide a means for equipment grounding.