

FIXTURE INSTALLATION GUIDE

Models using B0003D Backplate
(Incandescent Wall Sconce 120V)

B0003D, Rev.3 3-09

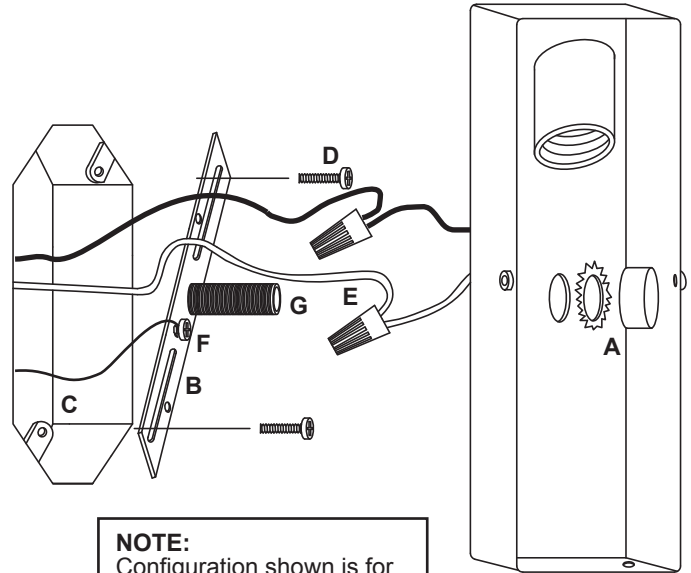


BESA LIGHTING

6695 Taylor Rd. Blacklick, OH 43004
www.besalighting.com

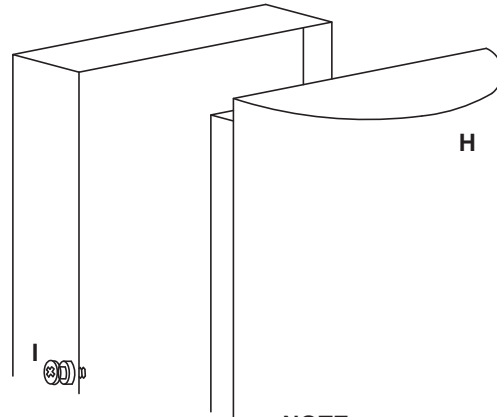
CAUTION: Turn off power to electrical box before installing

1. Carefully remove parts from package.
2. Attach the Mounting Bracket (B) to the Outlet Box (C) with two Machine Screws (D). Thread the Threaded Nipple (G) into the center of the Mounting Bracket. Connect the House Ground Wire to the Green Ground Screw on the Mounting Bracket (F).
3. Connect the electrical leads from the fixture to the house supply wires, black to black and white to white, and secure with wirenuts provided (E). Push the excess wiring into the Outlet Box.
4. With the Backplate oriented with the drainhole down, align the circular opening on the Backplate with the Threaded Nipple (G) on the Mounting Bracket. Push the Backplate over the Threaded Nipple until the Backplate is flush with the wall, then secure with the Cap Nut (A) and Star Washer.



NOTE:
Configuration shown is for instructional purposes only. Actual Socket Configuration may vary.

5. With the power still off, insert bulb of not more than the labeled wattage.
6. Gently position Glass Diffuser (H) into the Backplate. Secure with the two retaining screws (I).
Do not overtighten the retaining screws.
7. Restore power.



NOTE:
Glass Diffuser shown is for example purposes, the actual Glass Diffuser may be different in appearance.

NOTE:

For Model 180 using the optional Decorative Plate, position the Glass Diffuser (H) into the Decorative Plate and then position the Glass Diffuser/Decorative Plate into the Backplate. Secure with the two retaining screws (I). **DO NOT OVERTIGHTEN.**

CAUTION--RISK OF FIRE: Min 75C SUPPLY CONDUCTORS. This fixture requires that the branch supply wires be rated: MIN 75C. Most dwellings built before 1985 have supply wire rated 60C. **CONSULT A QUALIFIED ELECTRICIAN TO ENSURE CORRECT BRANCH CIRCUIT CONDUCTOR.**

All electrical connections and the installation of this fixture must be in agreement with local codes, ordinances or the NEC (National Electric Code) or CEC (Canadian Electrical Code). Do not connect this fixture to an electrical system that does not provide a means for equipment grounding.

FIXTURE INSTALLATION GUIDE

Models using B0007D Backplate
(Incandescent Wall Sconce 120V)

B0007D, Rev.3 3-09

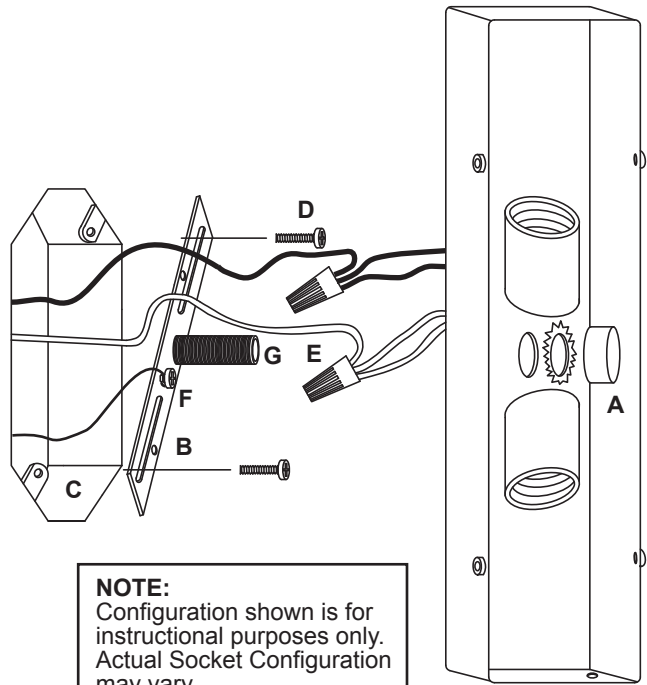


BESA LIGHTING

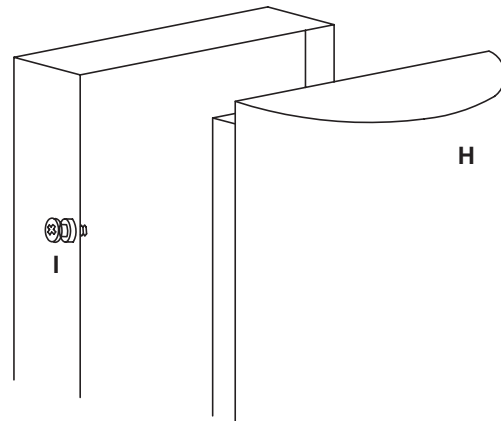
6695 Taylor Rd. Blacklick, OH 43004
www.besalighting.com

CAUTION: Turn off power to electrical box before installing

1. Carefully remove parts from package.
2. Attach the Mounting Bracket (B) to the Outlet Box (C) with two Machine Screws (D). Thread the Threaded Nipple (G) into the center of the Mounting Bracket. Connect the House Ground Wire to the Green Ground Screw on the Mounting Bracket (F).
3. Connect the electrical leads from the fixture to the house supply wires, black to black and white to white, and secure with wirenuts provided (E). Push the excess wiring into the Outlet Box.
4. With the Backplate oriented with the drainhole down, align the circular opening on the Backplate with the Threaded Nipple (G) on the Mounting Bracket. Push the Backplate over the Threaded Nipple until the Backplate is flush with the wall, then secure with the Cap Nut (A) and Star Washer.



5. With the power still off, insert bulbs of not more than the labeled wattage.
6. Gently position Glass Diffuser (H) into the Backplate. Secure with the four retaining screws (I). **Do not overtighten the retaining screws.**
7. Restore power.



NOTE:

For Model 181 using the optional Decorative Plate, position the Glass Diffuser (H) into the Decorative Plate and then position the Glass Diffuser/Decorative Plate into the Backplate. Secure with the four retaining screws (I). **DO NOT OVERTIGHTEN.**

NOTE:

Glass Diffuser shown is for example purposes, the actual Glass Diffuser may be different in appearance.

CAUTION--RISK OF FIRE: Min 75C SUPPLY CONDUCTORS. This fixture requires that the branch supply wires be rated: MIN 75C. Most dwellings built before 1985 have supply wire rated 60C. **CONSULT A QUALIFIED ELECTRICIAN TO ENSURE CORRECT BRANCH CIRCUIT CONDUCTOR.**

All electrical connections and the installation of this fixture must be in agreement with local codes, ordinances or the NEC (National Electric Code) or CEC (Canadian Electrical Code). Do not connect this fixture to an electrical system that does not provide a means for equipment grounding.