

CEILING FIXTURE INSTALLATION GUIDE

Models using B0005C Series Ceiling Pan (Med. Base 120V)



BESA LIGHTING

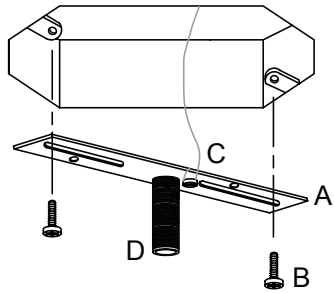
6695 Taylor Rd. Blacklick, OH 43004
www.besalighting.com

B0005C, B0006C, Rev.4 12-10

Caution: Turn off power to electrical box before installing

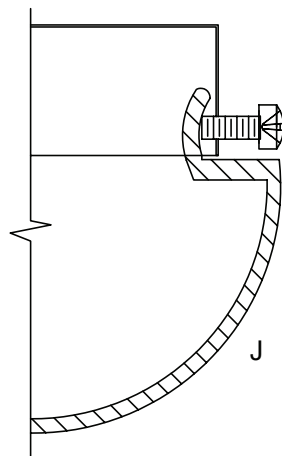
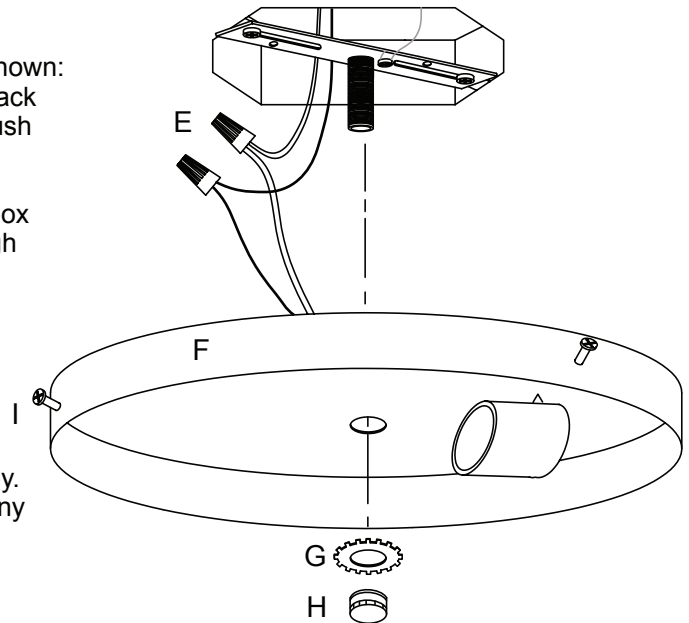
Use With these Models:

- Geo 9 (8884xx)
- Bobbi 10 (9111xx)
- Sola 10 (9432xx)
- Katie 10 (945107)



1. Carefully unpack parts. Fasten Mounting Strap (A) to Outlet box with Machine Screws (B).
2. Attach supply ground conductor to Mounting Strap with the green ground screw (C).
3. Thread the Threaded Nipple (D) into the Mounting Strap as shown.

4. Connect the fixture conductors to the supply conductors with wire nut connectors (E) as shown: White fixture wire to white supply wire and black fixture wire to black supply wire. Carefully push wires and wire nuts back into outlet box.
5. Place the fixture Canopy (F) over the outlet box so that the Threaded Nipple protrudes through the center mounting hole in canopy.
6. Secure the Canopy to the ceiling with the Star Washer (G) and Cap Nut (H), as shown. Tighten the cap nut firmly by using pliers.
7. Insert the three Set Screws (I) into the three threaded bushings on the sides of the Canopy. Turn the Set screws 2-3 turns, not allowing any of the screw head to extend into the inside of the canopy.



8. Insert bulb(s) of indicated type and wattage marked on fixture. Do not exceed wattage, as that could cause fixture to overheat.
9. Insert the Glass Diffuser (J) into the Canopy until it seats flush with the rim of the canopy. Secure the glass in place by tightening the three Set Screws by hand with a screwdriver. **DO NOT OVERTIGHTEN** as damage to glass may result.
10. Restore power.

CAUTION-RISK OF FIRE: Min 90C SUPPLY CONDUCTORS. This fixture requires that the branch supply wires be rated: MIN 90C. Most dwellings built before 1985 have supply wire rated 60C. CONSULT A QUALIFIED ELECTRICIAN TO ENSURE CORRECT BRANCH CIRCUIT CONDUCTOR.

All electrical connections and the installation of this fixture must be in agreement with local codes, ordinances or the NEC (National Electric Code) or CEC (Canadian Electrical Code).

Do not connect this fixture to an electrical system that does not provide a means for equipment grounding.

CEILING FIXTURE INSTALLATION GUIDE

Models using B0008C Series Ceiling Pan (Med. Base 120V)



BESA LIGHTING

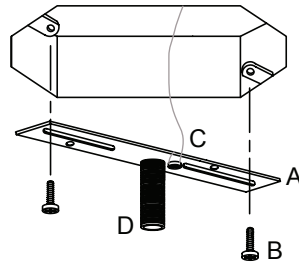
6695 Taylor Rd. Blacklick, OH 43004
www.besalighting.com

B0008C, B0009C, Rev.3 2-09

Caution: Turn off power to electrical box before installing

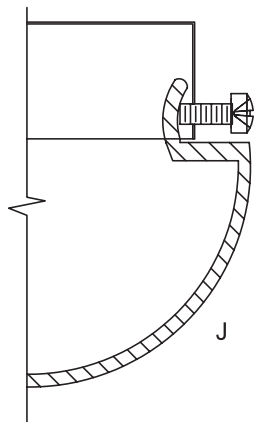
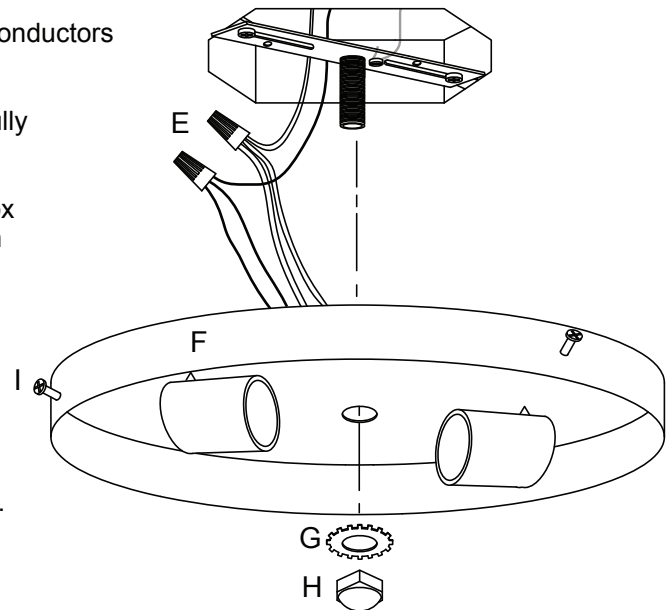
Use With these Models:

- Geo 11 (8883xx)
- Bobbi 12 (9110xx)
- Sola 12 (9431xx)
- Katie 12 (9450x)



1. Carefully unpack parts. Fasten Mounting Strap (A) to Outlet box with Machine Screws (B).
2. Attach supply ground conductor to Mounting Strap with the green ground screw (C).
3. Thread the Threaded Nipple (D) into the Mounting Strap as shown.

4. Connect the fixture conductors to the supply conductors with wire nut connectors (E) as shown: White fixture wires to white supply wire and black fixture wires to black supply wire. Carefully push wires and wire nuts back into outlet box.
5. Place the fixture Canopy (F) over the outlet box so that the Threaded Nipple protrudes through the center mounting hole in canopy.
6. Secure the Canopy to the ceiling with the Star Washer (G) and Cap Nut (H), as shown. Tighten the cap nut firmly by using pliers or 1/2" Nut Driver.
7. Insert the three Set Screws (I) into the three threaded bushings on the sides of the Canopy. Turn the Set screws 2-3 turns, not allowing any of the screw head to extend into the inside of the canopy.



8. Insert bulb(s) of indicated type and wattage marked on fixture. Do not exceed wattage marked, as that could cause fixture to overheat.
9. Insert the Glass Diffuser (J) into the Canopy until it seats flush with the rim of the canopy. Secure the glass in place by tightening the three Set Screws by hand with a screwdriver. **DO NOT OVERTIGHTEN** as damage to glass may result.
10. Restore power.

CAUTION-RISK OF FIRE: Min 90C SUPPLY CONDUCTORS. This fixture requires that the branch supply wires be rated: MIN 90C. Most dwellings built before 1985 have supply wire rated 60C. CONSULT A QUALIFIED ELECTRICIAN TO ENSURE CORRECT BRANCH CIRCUIT CONDUCTOR.

All electrical connections and the installation of this fixture must be in agreement with local codes, ordinances or the NEC (National Electric Code) or CEC (Canadian Electrical Code).

Do not connect this fixture to an electrical system that does not provide a means for equipment grounding.