

# FIXTURE INSTALLATION GUIDE

Models using B0010 Backplate  
(Exterior One Light Wall Sconce 120V)  
B0010, Rev.3 8-10

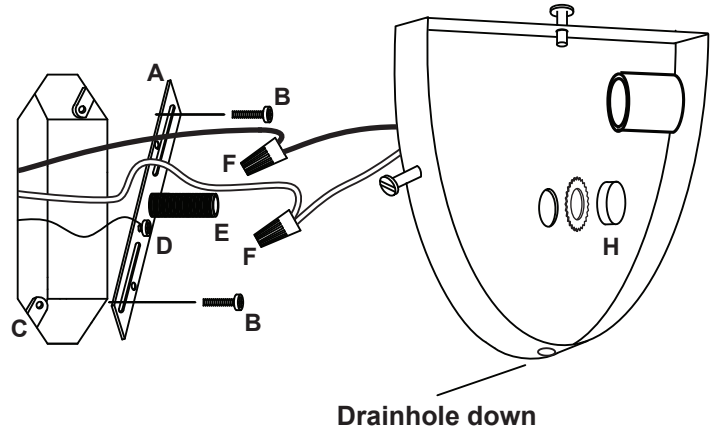


BESA LIGHTING

6695 Taylor Rd. Blacklick, OH 43004  
www.besalighting.com

**CAUTION:** Turn off power to electrical box before installing

1. Carefully remove parts from package. Fasten Mounting Bracket (A) to Outlet Box (C) with Machine Screws (B).
2. Attach supply ground wire to Mounting Bracket with the green ground screw (D)
3. Thread the Threaded Nipple (E) into the Mounting Bracket as shown.
4. With the Backplate **oriented with the drainhole down**, connect the electrical leads from the fixture to the house supply wires, black to black and white to white, and secure with wirenuts provided (F). Push the excess wiring into the Outlet Box.
5. Align the circular opening on the Backplate with the Threaded Nipple (E) on the Mounting Bracket. Push the Backplate over the Threaded Nipple until the Backplate is flush with the wall, then secure with the Star Washer (G) and Cap Nut (H).
6. **IMPORTANT:** IN ORDER TO COMPLY WITH ESTABLISHED ELECTRICAL CODE, THE INSTALLER MUST SEAL THE AREA AROUND THE FIXTURE CANOPY, BETWEEN THE CANOPY AND THE WALL WITH A TYPE OF CAULKING COMPOUND SUCH AS SILICONE RUBBER TO PROVIDE A WATERTIGHT SEAL IN ACCORDANCE WITH THE DIFFERING SURFACE TEXTURES OF THE WALL.
7. With the power still off, insert bulb(s), of not more than the labeled wattage.

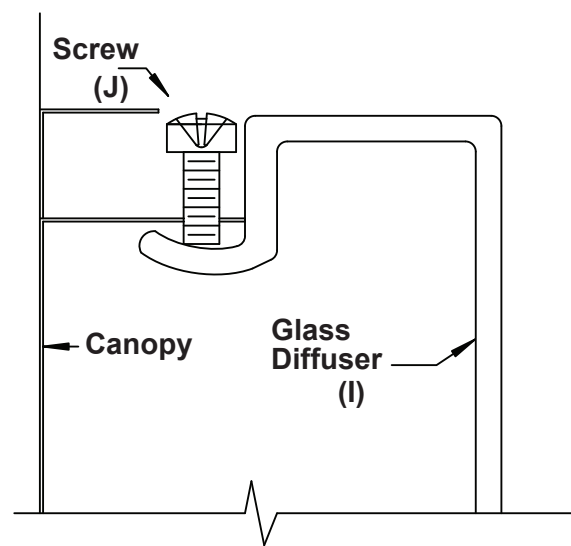


## GLASS INSTALLATION

8. Gently position Glass Diffuser (I) into the Backplate. Secure with the three retaining screws (J).

**DO NOT OVERTIGHTEN THE RETAINING SCREWS, MAY CAUSE DAMAGE TO GLASS.**

9. Restore power.



**NOTE:**  
Glass Diffuser shown is for example purposes, the actual Glass Diffuser may be different in appearance.

All electrical connections and the installation of this fixture must be in agreement with local codes, ordinances or the NEC (National Electric Code) or CEC (Canadian Electrical Code). Do not connect this fixture to an electrical system that does not provide a means for equipment grounding.