

CEILING FIXTURE INSTALLATION GUIDE

Models using B0018C Series (LED 120V)

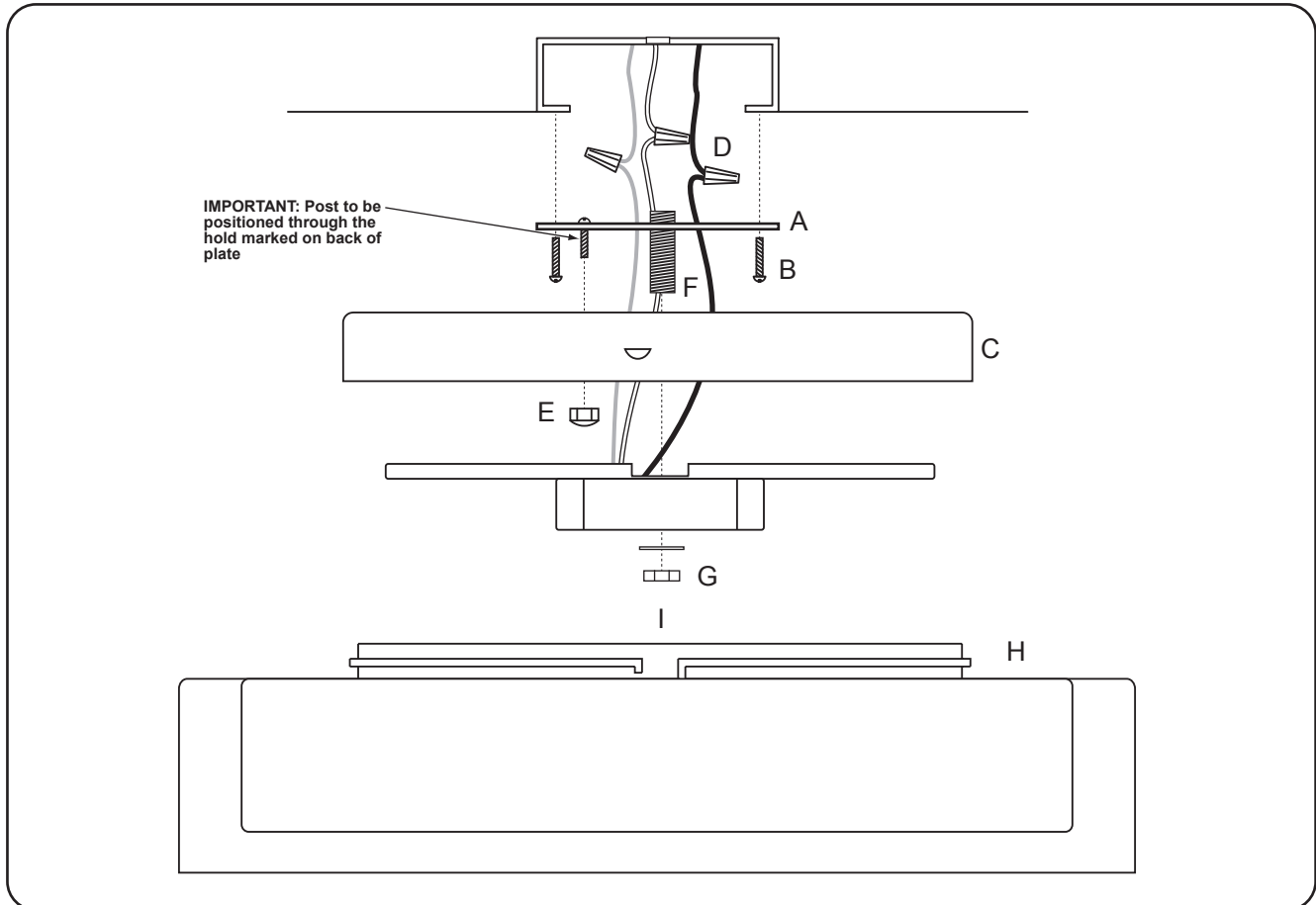


BESA LIGHTING

6695 Taylor Rd. Blacklick, OH 43004
www.besalighting.com

B0018C_1600_LED30, Rev.1 7-20

Caution: Turn off power to electrical box before installing



1. Carefully unpack parts. Fasten Mounting Plate (A) to Outlet box with Machine Screws (B).
2. Feed Fixture wires through Canopy (C) then connect the fixture wires to the supply wires with wire nut connectors (D) as shown: Green fixture wire to house supply ground wire, White fixture wire to white supply wire and black fixture wire to black supply wire. Carefully push wires and wirenuts back into outlet box through opening in Canopy.
3. Install Canopy (C) to Mounting Plate (A) by aligning Threaded Stud through the mounting holes in canopy. Secure the Canopy to the ceiling with the Cap Nut (E), as shown. Tighten the cap nut firmly by using Pliers or 5/16" Nut Driver.
4. Install LED Module to Canopy by aligning the center opening on LED Module to Threaded Nipple (F) of the Mounting Bracket and securing in place with Washer and Hex Nut (G).
5. To attach Glass Diffuser (H), align the open slots (I) in the glass rim with the indented dimples on the fixture canopy. Insert glass into canopy and twist the glass clockwise until secure.
6. Restore power.

CAUTION-RISK OF FIRE: Min 90C SUPPLY CONDUCTORS. This fixture requires that the branch supply wires be rated: MIN 90C. Most dwellings built before 1985 have supply wire rated 60C.
CONSULT A QUALIFIED ELECTRICIAN TO ENSURE CORRECT BRANCH CIRCUIT CONDUCTOR.

All electrical connections and the installation of this fixture must be in agreement with local codes, ordinances or the NEC (National Electric Code) or CEC (Canadian Electrical Code).
Do not connect this fixture to an electrical system that does not provide a means for equipment grounding.