

FIXTURE INSTALLATION GUIDE

Models using B0042 Backplate
(Medium Base Lamps, Wall Mount 120V)
B0042, Rev.4 3-09

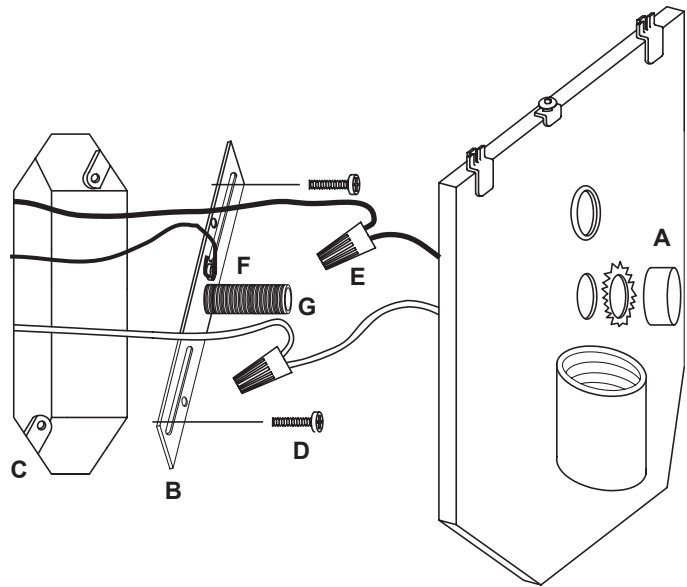


BESA LIGHTING

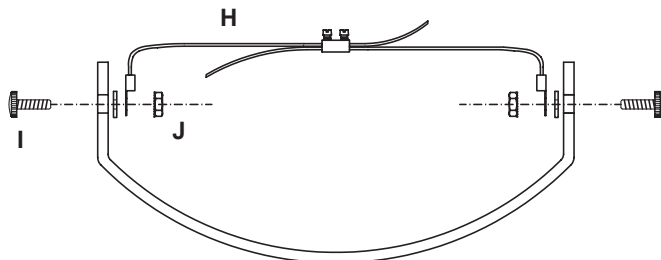
6695 Taylor Rd. Blacklick, OH 43004
www.besalighting.com

CAUTION: Turn off power to electrical box before installing

1. Carefully remove parts from package.
2. Remove the Cap Nut (A) to release the Backplate from the Mounting Bracket (B).
3. Attach the Mounting Bracket to the Outlet Box (C) with two Machine Screws (D) provided.
4. Connect the electrical leads from the fixture to the house supply wires, black to black and white to white, and secure with wirenuts provided (E). Connect the House Ground Wire to the Green Ground Screw on the Mounting Bracket (F).
5. Align the circular opening on the Backplate with the Threaded Nipple (G) on the Mounting Bracket. Push the Backplate over the Threaded Nipple until the Backplate is flush with the wall, then secure with the Cap Nut and Star Washer.
6. With the power still off, insert bulb of not more than the labeled wattage. Proceed to install glass diffuser.



NOTE: Backplate is for instructional purposes. Actual backplate may vary slightly



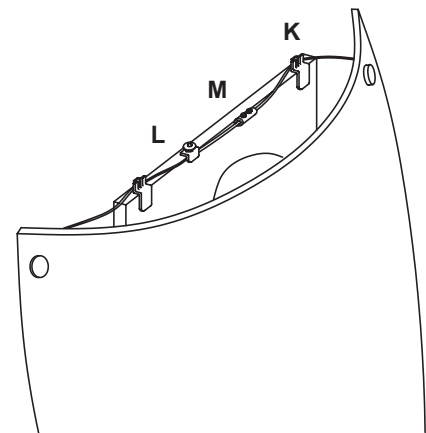
7. Remove Cable Kit from bag, then release Cable Assembly (H) by removing the Decorative Fastener (I).
8. Secure the Cable Assembly to the Glass as shown above.

IMPORTANT: Do not overtighten the Hex Nut (J), overtightening could cause damage to glass.

9. Hold the Glass Diffuser close to the Backplate as shown, then position the Cable over the two Cable Clips (K) and under the Cable Retainer (L). Allow the glass to hang from the Backplate and confirm that the glass seats closely to the wall. The glass can be adjusted slightly by tightening the Cable Retainer with the Allen Wrench provided.

If the Glass Diffuser does not seat close to the wall, then the cable must be shortened using Cable Clamp (M). Loosen the two screws and carefully shorten cable, then retighten the screws.

10. Restore power.



NOTE: Glass shown is for instructional purposes. Actual glass may vary in shape or size.

All electrical connections and the installation of this fixture must be in agreement with local codes, ordinances or the NEC (National Electric Code) or CEC (Canadian Electrical Code). Do not connect this fixture to an electrical system that does not provide a means for equipment grounding.

FIXTURE INSTALLATION GUIDE

Models using B0044.05 Backplate
(Medium Base Lamps, Wall Mount 120V)
B0044.5, Rev.3 3-09

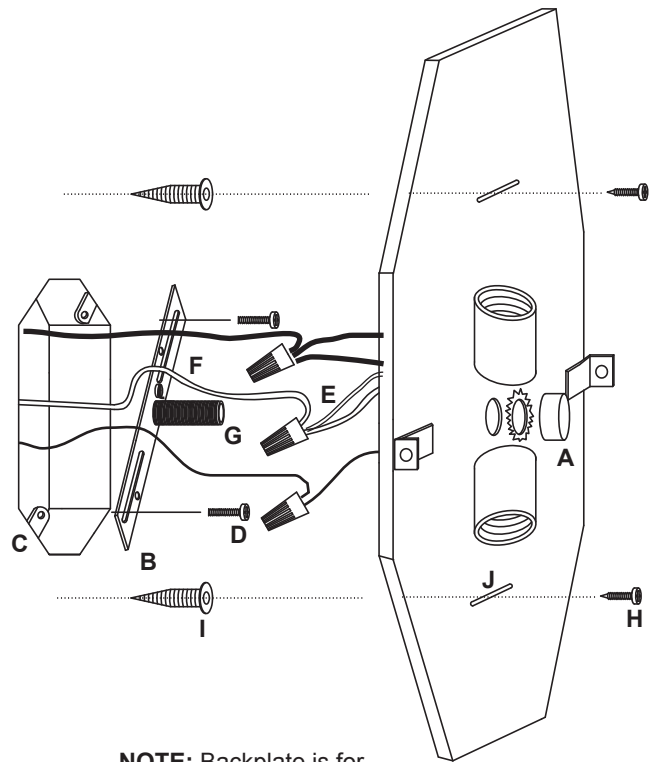


BESA LIGHTING

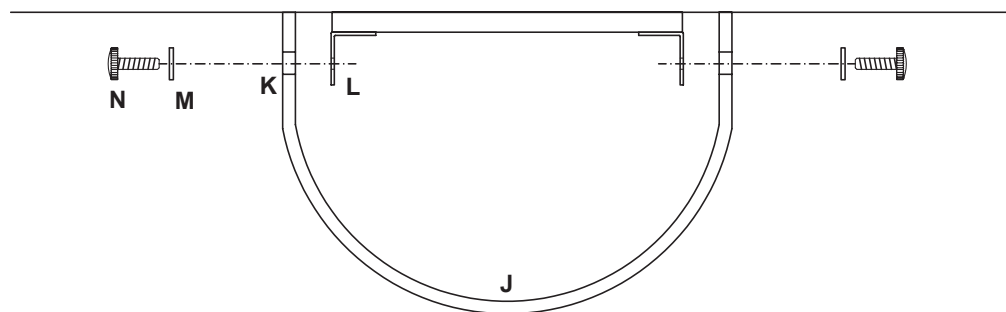
6695 Taylor Rd. Blacklick, OH 43004
www.besalighting.com

CAUTION: Turn off power to electrical box before installing

1. Carefully remove parts from package.
2. Attach the Mounting Bracket (B) to the Outlet Box (C) with two Machine Screws (D). Thread the Threaded Nipple (G) into the Mounting Bracket (F). Connect the House Ground Wire to the Bare Copper Conductor with a wirenut (E).
3. Align the circular opening on the Backplate with the Threaded Nipple on the Mounting Bracket. Push the Backplate over the Threaded Nipple until the Backplate is flush with the wall. After the Backplate appears level, carefully mark the wall at the center of the Slots (J) on the Backplate. Remove the Backplate and install the Wall Anchors (I) at the marks made.
4. Connect the electrical leads from the fixture to the house supply wires, black to black and white to white, and secure with wirenuts provided (E).
5. Align the circular opening on the Backplate with the Threaded Nipple (G) on the Mounting Bracket. Push the Backplate over the Threaded Nipple until the Backplate is flush with the wall, then secure with the Cap Nut (A) and Star Washer. Further secure the Backplate using Mounting Screws (H) through the Slots on the Backplate and with the Wall Anchors (I).



NOTE: Backplate is for instructional purposes. Actual backplate may vary slightly



6. With the power still off, insert bulb of not more than the labeled wattage.
7. Hold the Glass Diffuser (J) close to the Backplate and align the Mounting Holes (K) on the Glass Diffuser with the Mounting Brackets (L) on the Backplate.
8. Install the Silicone Washer (M) on the Mounting Screws (N) and then secure the Glass Diffuser by threading the Mounting Screws through the Mounting Holes into the Mounting Brackets.
9. Restore power.

All electrical connections and the installation of this fixture must be in agreement with local codes, ordinances or the NEC (National Electric Code) or CEC (Canadian Electrical Code). Do not connect this fixture to an electrical system that does not provide a means for equipment grounding.

FIXTURE INSTALLATION GUIDE

Models using B0044.06 Backplate
(Medium Base Lamps, Wall Mount 120V)
B0044.6, Rev.3 3-09

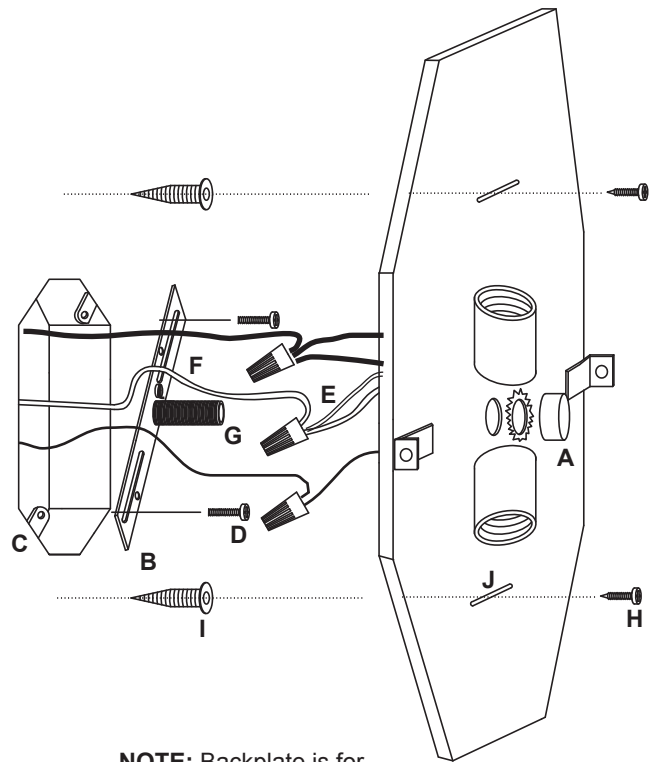


BESA LIGHTING

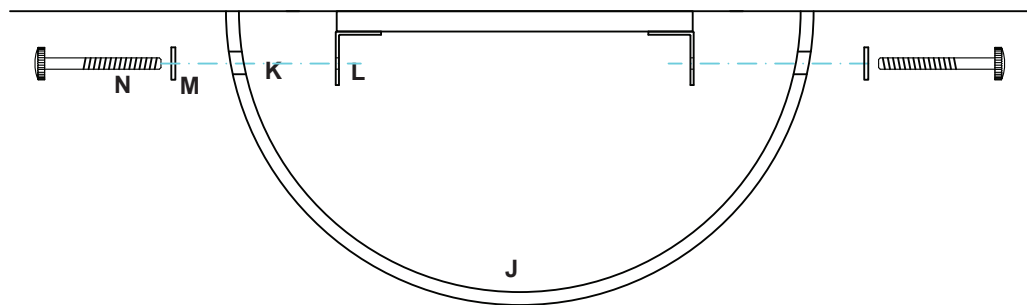
6695 Taylor Rd. Blacklick, OH 43004
www.besalighting.com

CAUTION: Turn off power to electrical box before installing

1. Carefully remove parts from package.
2. Attach the Mounting Bracket (B) to the Outlet Box (C) with two Machine Screws (D). Thread the Threaded Nipple (G) into the Mounting Bracket (F). Connect the House Ground Wire to the Bare Copper Conductor with a wirenut (E).
3. Align the circular opening on the Backplate with the Threaded Nipple on the Mounting Bracket. Push the Backplate over the Threaded Nipple until the Backplate is flush with the wall. After the Backplate appears level, carefully mark the wall at the center of the Slots (J) on the Backplate. Remove the Backplate and install the Wall Anchors (I) at the marks made.
4. Connect the electrical leads from the fixture to the house supply wires, black to black and white to white, and secure with wirenuts provided (E).
5. Align the circular opening on the Backplate with the Threaded Nipple (G) on the Mounting Bracket. Push the Backplate over the Threaded Nipple until the Backplate is flush with the wall, then secure with the Cap Nut (A) and Star Washer. Further secure the Backplate using Mounting Screws (H) through the Slots on the Backplate and with the Wall Anchors (I).



NOTE: Backplate is for instructional purposes. Actual backplate may vary slightly



6. With the power still off, insert bulb of not more than the labeled wattage.
7. Hold the Glass Diffuser (J) close to the Backplate and align the Mounting Holes (K) on the Glass Diffuser with the Mounting Brackets (L) on the Backplate.
8. Install the Silicone Washer (M) on the Mounting Screws (N) and then secure the Glass Diffuser by threading the Mounting Screws through the Mounting Holes into the Mounting Brackets.
9. Restore power.

All electrical connections and the installation of this fixture must be in agreement with local codes, ordinances or the NEC (National Electric Code) or CEC (Canadian Electrical Code). Do not connect this fixture to an electrical system that does not provide a means for equipment grounding.