



ESPADA 16

SCONCES OUTDOOR

ADA
COMPLIANT
location:
WET

SPECIFICATIONS:

DESCRIPTION

Wall-mounted **ADA-compliant** sconce.

LAMPING

Standard: 2x 60W A15 120V incandescent, lamp not included. Dimmable with standard incandescent dimmer (not included).

LED: 5W Replaceable source, 120V, CL dimmable, 90+ CRI, 3000°K CCT, 550 lumens, 30,000 hours. Lamp included.

DIFFUSER

Diffuser shall be glass with painted face and clear bubble sides.

CONSTRUCTION

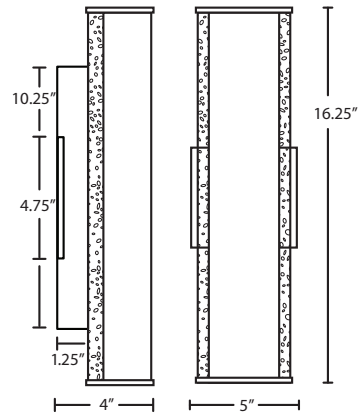
Stamped aluminum fitter is powder coated. Glass is secured by stainless steel set screws.

MOUNTING

Installs directly to a 4" octagonal outlet box. 75°C supply wire required for incandescent lamping. Fixture is centered on the outlet box. Wall mount only.

LABELS

UL or ETL Listed. Suitable for Wet Locations (interior or exterior use).



SHOWN IN BLACK/CLEAR BUBBLE AND SILVER/CLEAR BUBBLE

BRONZE/CLEAR BUBBLE

ORDERING:

FIXTURE	GLASS OPTIONS	LAMP OPTIONS	METAL FINISH
2NW 1 Lt. Sconce	ESPADA16 Clear Bubble	(blank) 2x 60W A15 Incan LED 2x 5W LED	BK Black BR Bronze SL Silver

Ex. 2NW-ESPADA16-SL
Espada 16 Sconce, Opal Matte Shade,
Silver Finish



Project Information:

All dimensions provided are nominal. Allowance must be made for dimensional tolerance in handcrafted glasses.

REV 12/18