



JUNI 10

WALL PENDANT

location:
DAMP

SPECIFICATIONS:

DESCRIPTION

Wall-mounted Pendant featuring cylindrical glass bubbled shade.

LAMPING

Standard: 60W T10 Medium-based 120V incandescent, suitable for dimming, lamp not included. (*Incandescent dimmer is suitable for dimming, not included*)

Edison: 40W Edison Filament Medium-based, 120V, lamp included.

LED Edison: 4W Replaceable LED Filament T-shape lamp, 120V, CL dimmable, lamp included.

DIFFUSER

Shade shall be handcrafted glass of various decors. 3.5" Dia. x 10" H

CONSTRUCTION

Plated steel backplate and cord support arm/loop in Bronze or Satin Nickel. Adjustable 10' cord provided.

METAL FINISH

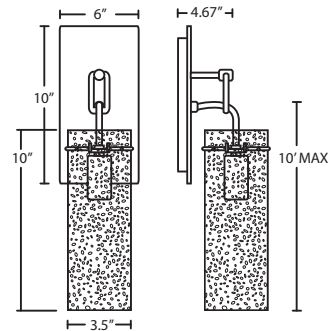
Fixture shall be finished in Bronze or Satin Nickel.

MOUNTING

Installs directly to a 4" octagonal outlet box. Wall-mount only.

LABELS

UL or ETL Listed. Suitable for Damp Locations (interior use only).



CLEAR BUBBLE (JUNI10CL)

JUNI10BL
BLUE BUBBLE

JUNI10GD
GOLD BUBBLE

JUNI10LT
LATTE BUBBLE

JUNI10MS
MOSS BUBBLE

JUNI10PL
PLUM BUBBLE



For ordering information, see next page

All dimensions provided are nominal. Allowance must be made for dimensional tolerance in handcrafted glasses.

REV 12/18



ORDERING:

| FIXTURE | SHADE OPTIONS | LAMP OPTIONS | METAL FINISH |
|---|-----------------------|-----------------------|-----------------|
| 1WP Wall Pendant | JUNI10BL Blue Bubble | (blank) 60W T10 Incan | BR Bronze |
| | JUNI10CL Clear Bubble | EDI 40W Edison | SN Satin Nickel |
| | JUNI10GD Gold Bubble | EDIL 4W LED Filament | |
| | JUNI10LT Latte Bubble | | |
| | JUNI10MS Moss Bubble | | |
| JUNI10PL Plum Bubble | | | |
| Ex. 1WP-JUNI10BL-SN | | | |
| Juni 10 Wall, Blue Bubble, Satin Nickel Finish | | | |

Project Information: