



# MILO 4

MINI SCONCES WALL

location:  
**DAMP**

## SPECIFICATIONS:

### DESCRIPTION

Wall-mounted sconce featuring handcrafted ball jar glass.

### LAMPING

**Standard:** 60W T10 Medium-based 120V incandescent, suitable for dimming, not included.

**LED Edison:** 5W Replaceable T-Style LED Filament lamp, 120V, dimmable, 3000°K CCT, 450 lumens, 15,000 hours, lamp included.

### DIFFUSER

Shades shall be handcrafted ball jar glass of various decors.

### CONSTRUCTION

Fixture utilizes gooseneck arm assembly and stamped steel canopy (6"H), with plated metal finish.

### METAL FINISH

Fixture shall be finished in Black.

### MOUNTING

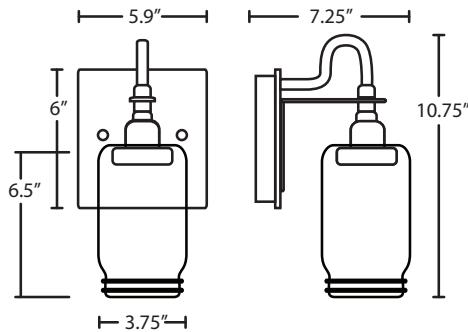
Installs directly to a 4" octagonal outlet box. Orient upward or downward, wall-mount only.

### LABELS

UL or ETL Listed. Suitable for Damp Locations (interior use only).



WHITE FROST (MILO4WF)



## ORDERING:

FIXTURE	GLASS OPTIONS	LAMP OPTIONS	METAL FINISH
1WG Sconce	MILO4AM Amber MILO4GR Green MILO4PL Purple MILO4SM Smoke MILO4WF White Frost	(blank) 60W A19 Incan EDIL 5W LED Filament	BK Black

**Ex. 1WG-MILO4PL-BK**  
Milo 4 Mini Sconce, Purple Glass, Black Finish

Project Information:

MILO4AM  
AMBER



MILO4GR  
GREEN



MILO4PL  
PURPLE



MILO4SM  
SMOKE



All dimensions provided are nominal. Allowance must be made for dimensional tolerance in handcrafted glasses.

REV 2/23