



SASHA

120V PENDANTS

SPECIFICATIONS:

DESCRIPTION

Sasha has a handcrafted European glass in a classical bell shape that complements aesthetic, while also built for optimal illumination.

LAMPING

Standard: 40W G16½ Candelabra base (E12) Incandescent 120V, or 50W Xenon, lamp not included. Dimmable with standard incandescent dimmer (not included).

Medium: 40W B10 Medium-base incandescent 120V, not included.

LED: 9W Replaceable source, 120V, dimmable, 90+ CRI, 3000°K CCT, 800 lumens, 30,000 hours. Lamp included. (Standard CCT is 3000K, 3500K and 4000K are also available)

DIFFUSER

Shade shall be handcrafted glass of various decors. 6.325" Dia. x 5.5" H

Opening sizes: 42mm top.

SUSPENSION

Cord-hung: 10' SVT-type cord, complete with 5" decorative sleeve at the socketholder. Jacket coordinates with metal finish. Plated stamped steel construction. Black, Bronze or Satin Nickel. See next page for mulit light options.

MOUNTING

Installs directly to a 4" octagonal or round ceiling box. Suitable for sloped ceilings.

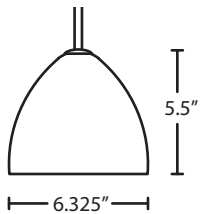
LABELS

UL or ETL Listed. Suitable for Damp Locations (interior use only).

Consult factory concerning lower wattage labeling for energy requirements.



SASHA SHOWN IN CARRERA (757219) & RED CLOUD (7572RC)



Project Information:

For ordering information, see next page

All dimensions provided are nominal. Allowance must be made for dimensional tolerance in handcrafted glasses.

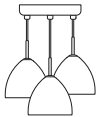
REV 6/24



ORDERING:

CONNECTION	SHADE OPTIONS	LAMP OPTIONS	METAL FINISH	OPTIONS
Cord Fixture	757207 Opal Matte	(blank) E12 base	BK Black	L 15' cord
1BC 1 Lt. Dome	757218 Amber Cloud	MED 40W B10 Med	BR Bronze	LW Low
1BT 1 Lt. Flat	757219 Carrera	LED* 5W LED	SN Satin Nickel	wattage labeling
Multi light	757286 Blue Cloud	*CCT options available (contact factory)		
B For Multi light Canopy	7572HN Honey			
	7572RC Red Cloud			

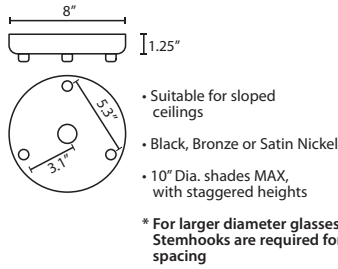
Ex. 1BT-757219-SN
Sasha Pendant w/ Carrera Glass, Satin Nickel Finish, Flat Canopy



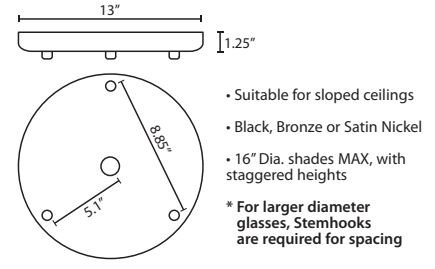
Multilight Canopies Available, see right

MULTIPOINT CANOPY OPTIONS FOR CORD PENDANTS

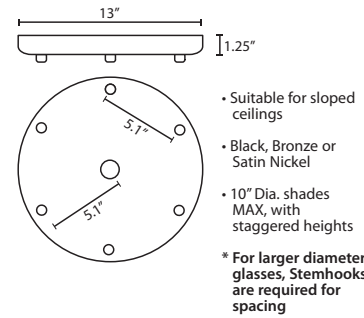
T33X 3 LIGHT ROUND CANOPY



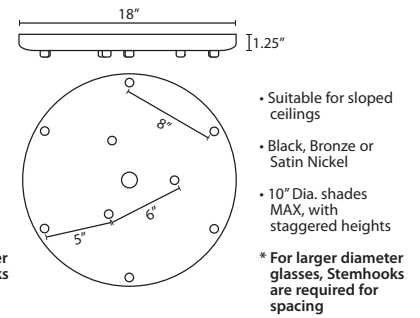
T33XL 3 LIGHT LARGE ROUND CANOPY



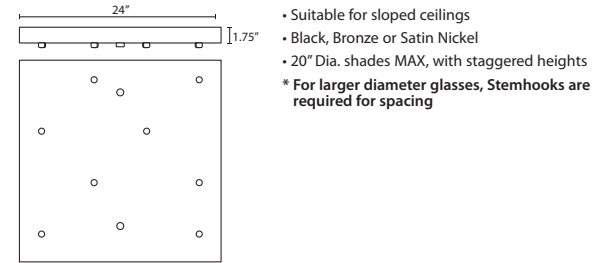
T36X 6 LIGHT ROUND CANOPY



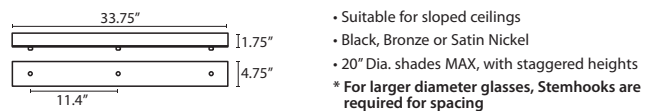
T39X 9 LIGHT ROUND CANOPY



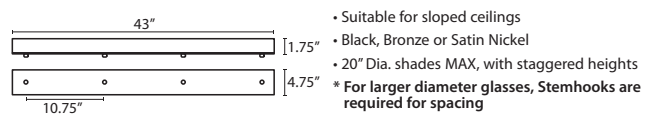
T38X 8 LIGHT SQUARE CANOPY



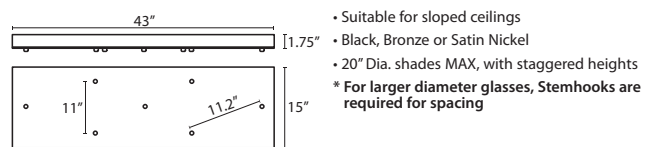
T33V 3 LIGHT BAR CANOPY



T34V 4 LIGHT BAR CANOPY



T37V 7 LIGHT BAR CANOPY



HOW TO ORDER A MULTILIGHT FIXTURE

Order your canopy with the selected 120V multi light pendants (indicated by "B" or "J" prefix) for the complete fixture:

Example: 1x T33X-SN (3 Light Round Canopy)

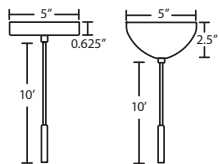
1x B-757218-SN (Sasha Pendant in Amber Cloud)

1x B-7572HN-SN (Sasha Pendant in Honey)

1x B-7572RC-SN (Sasha Pendant in Red Cloud)

PENDANT OPTIONS:

1BT / 1BC / B CORD-HUNG PENDANT



- Flat (1BT) or Dome (1BC) Canopy styles. Dome style allows adjustment without cutting cord.
- "B" option is pendant less canopy for multipoint canopy (options to the right)
- Suitable for sloped ceilings
- Cord: 10' SVT, 5" sleeve at socketholder
- Also available in 15'
- Black, Bronze or Satin Nickel
- Cord Sleeves are available in 18" lengths

ACCESSORIES:

LONGER CORD LENGTHS:

Longer cord length of 15' available. Add an "L" to the end of the item number, i.e. 1JC-169707-SN-L.

LOW WATTAGE LABELING:

Incandescent fixture supplied with 16 watt relamp label.

Add an "LW" to the end of the item number, i.e. 1JC-169707-SN-LW.

CORD SLEEVES:

If concealing the cord is desired on a Cord-hung Pendant, order our 0.25" dia. metal sleeves. Each sleeve is 18" long and may be field cut.

- T118-BK Black
- T118-BR Bronze
- T118-SN Satin Nickel

STEMHOOKS:

Suspension hooks allow cord drops to be placed wherever desired. Suitable for sloped ceilings or for greater multilight spacing

- T103BK Black
- T103BR Bronze
- T103SN Satin Nickel