



TOGO

SCONCES OUTDOOR

location:
WET

SPECIFICATIONS:

DESCRIPTION

Outdoor wall sconce features handcrafted European glass.

LAMPING

Standard: 75W A19 120V, lamps not included.

DIFFUSER

Glass diffuser is molded glass in Black or Bronze decor, with a warm Smoke tint. Dimensions are 5.25" W x 9.5" H x 4" D.

CONSTRUCTION

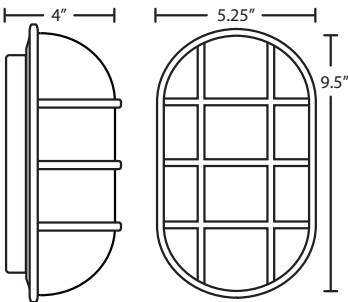
Stamped Stainless steel fitter. Glass is secured by stainless steel set screws.

MOUNTING

Installs directly to a 4" octagonal outlet box, centered on fixture. 75°C supply wire required for incandescent lamping.

LABELS

UL or ETL Listed. Suitable for Wet Locations. May be used in Interior or Exterior applications.



TOGOBR
Bronze/Smoke



TOGOBK
Black/Smoke

ORDERING:

FIXTURE	- LAMP OPTIONS
TOGOBK Black/Smoke	(blank) 75W A19
TOGOBR Bronze/Smoke	

Ex. TOGOBK

Togo Sconce w/ Smoke Bubble,
Black Finish

Project Information:

All dimensions provided are nominal. Allowance must be made for dimensional tolerance in handcrafted glasses.

REV 11/22