

GLASS SHADE INSTALLATION GUIDE

Model J Series -99 (Med. Base Pendant Set 120V)



BESA LIGHTING

6695 Taylor Rd. Blacklick, OH 43004
www.besalighting.com

JKIT.99, Rev.6 11-14

IMPORTANT: For installation of pendants and wiring, please refer to the **Fixture Installation Guide** included with fixture canopy

Use With these Models:

- Stilo 7 (4404xx)
- Stilo 10 (4123xx)
- Tao 10 (1512xx)

1. Secure Glass Shade per the diagram, then install bulb per label on luminaire.
2. Restore power.

Hex Nut, must be installed prior to installing cord into the ceiling canopy.

Center Fitter, must be installed prior to installing cord into the ceiling canopy.

***NOTE:** To balance glass, insert Decorative Sleeve into Threaded Socket Holder, then adjust Center Fitter until glass is balance. Secure Center Fitter with Star washer and Hex Nut. (see below)

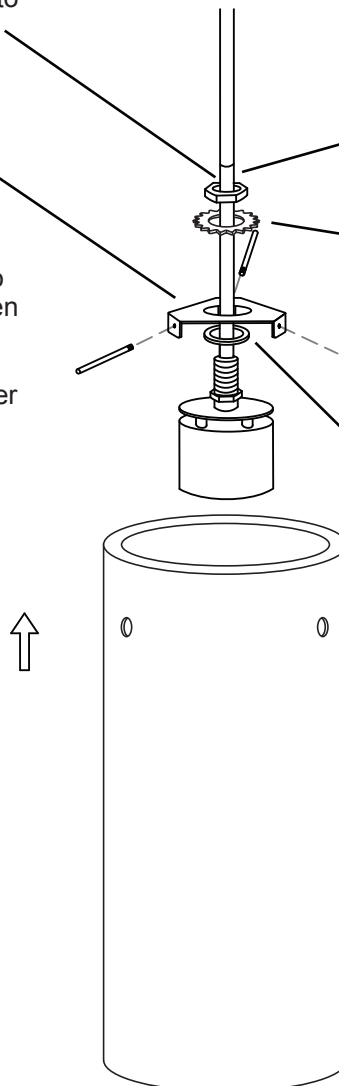
Install the glass shade by positioning over the lampholder and then threading the Decorative Posts into the Center Hub Support

Decorative Sleeve, must be installed prior to installing cord into the ceiling canopy.

Star Washer, must be installed prior to installing cord into the ceiling canopy.

Decorative Posts

Existing Washer



NOTE: Glass Shade is for instructional purposes. Actual Glass Shade may vary in size and shape.

All electrical connections and the installation of this fixture must be in agreement with local codes, ordinances or the NEC (National Electric Code) or CEC (Canadian Electrical Code). Do not connect this fixture to an electrical system that does not provide a means for equipment grounding.

Replacement parts for this 120V Voltage Pendant Set are as follows:

#TJ310C100-SN.99 - 100W 10' clear cordset with Nickel Hardware

For Bronze cordset, use "Z" in place of "C" and "BR" in place of "SN". For 15' cordset, use "315" in place of "310"