

INSTALLATION GUIDE

Model 1KM Series (One Light Med. Base Ceiling 120V)



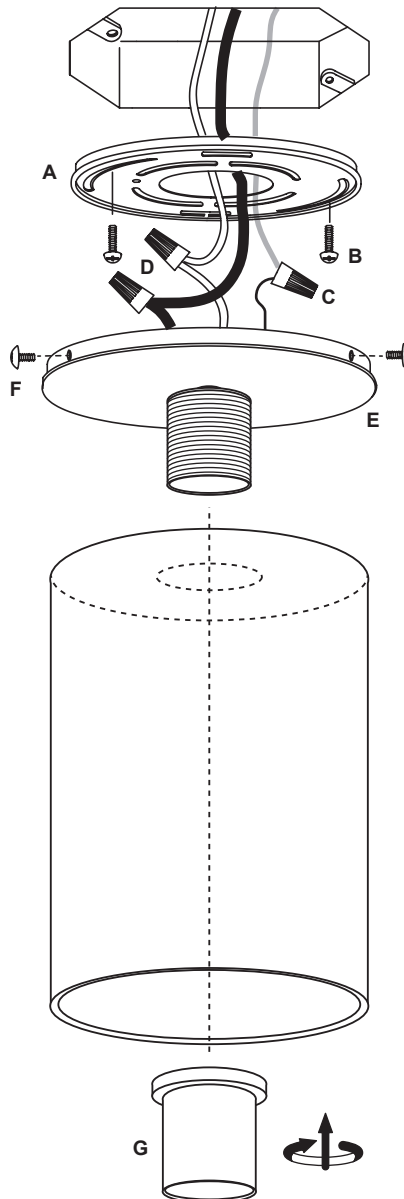
BESA LIGHTING

6695 Taylor Rd. Blacklick, OH 43004
www.besalighting.com

SC019.001, Rev.1 5-15

Caution: Turn off power to electrical box before installing

1. Carefully unpack parts. Loosen Allen Head Screws (F) to release the Mounting Plate (A) from Canopy.
2. Secure the Mounting Plate (A) to the Electrical Supply Box with Machine Screws (B) provided.
3. Attach the fixture Ground wire to the supply ground and secure with Wire Nut Connector (C).
4. Connect the fixture conductors to the supply conductors with Wire Nut Connectors (D) as shown: White fixture wire to white supply wire and black fixture wire to black supply wire. Carefully push wires and wire nuts back into outlet box.
5. Position the Canopy (E) over the Mounting Plate and secure by tightening the Allen Head Screws (F) with the Allen Wrench provided.
6. Install Glass Shade onto Canopy and secure with Decorative Threaded Socket Cover (G).



NOTE:

Glass Shade is for instructional purposes. Actual Glass Shade may vary in size and shape.