

GLASS SHADE INSTALLATION GUIDE

Model J Series - Nini (GU-24. Base Pendant Set 120V)



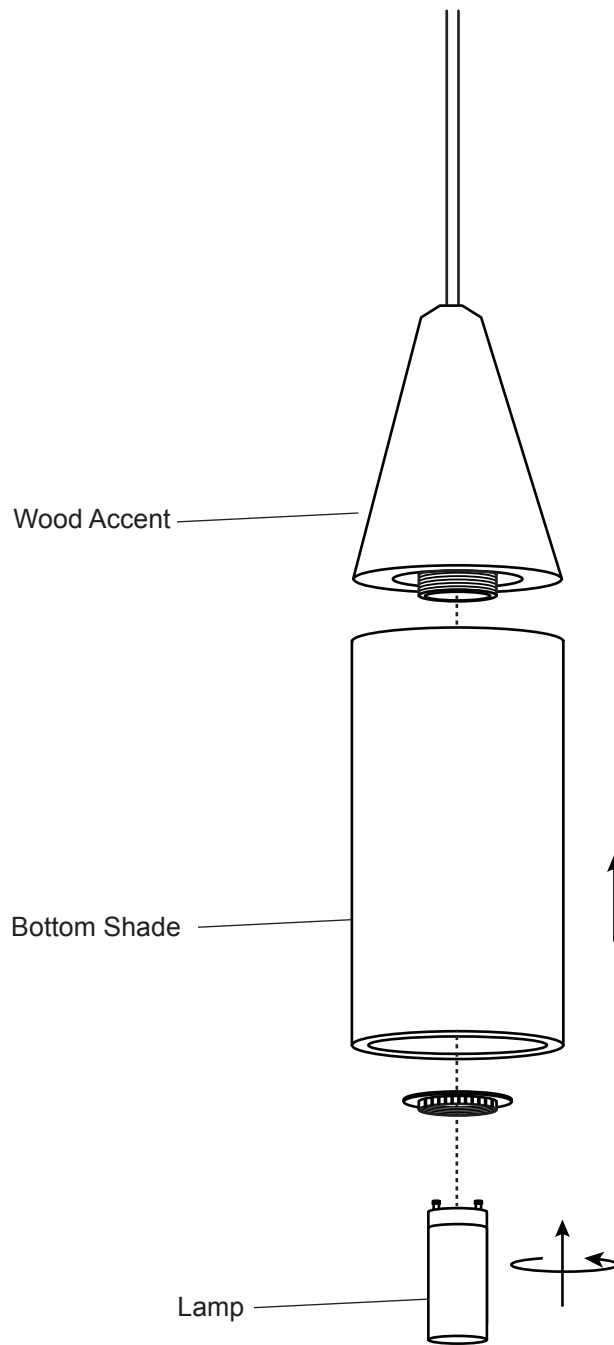
BESA LIGHTING

6695 Taylor Rd. Blacklick, OH 43004
www.besalighting.com

SP101.000.LED, Rev.1 8-20

IMPORTANT: For installation of pendants and wiring, please refer to the **Fixture Installation Guide** included with fixture canopy

1. Secure Glass Shade per the diagram, then install the lamp provided.
2. Restore power.



NOTE:
Drawing is for instructional purposes. Actual Fixture may vary in size and shape.

All electrical connections and the installation of this fixture must be in agreement with local codes, ordinances or the NEC (National Electric Code) or CEC (Canadian Electrical Code).
Do not connect this fixture to an electrical system that does not provide a means for equipment grounding.