

CEILING FIXTURE INSTALLATION GUIDE

Models using Spezza Series (Med. Base 120V)



BESA LIGHTING

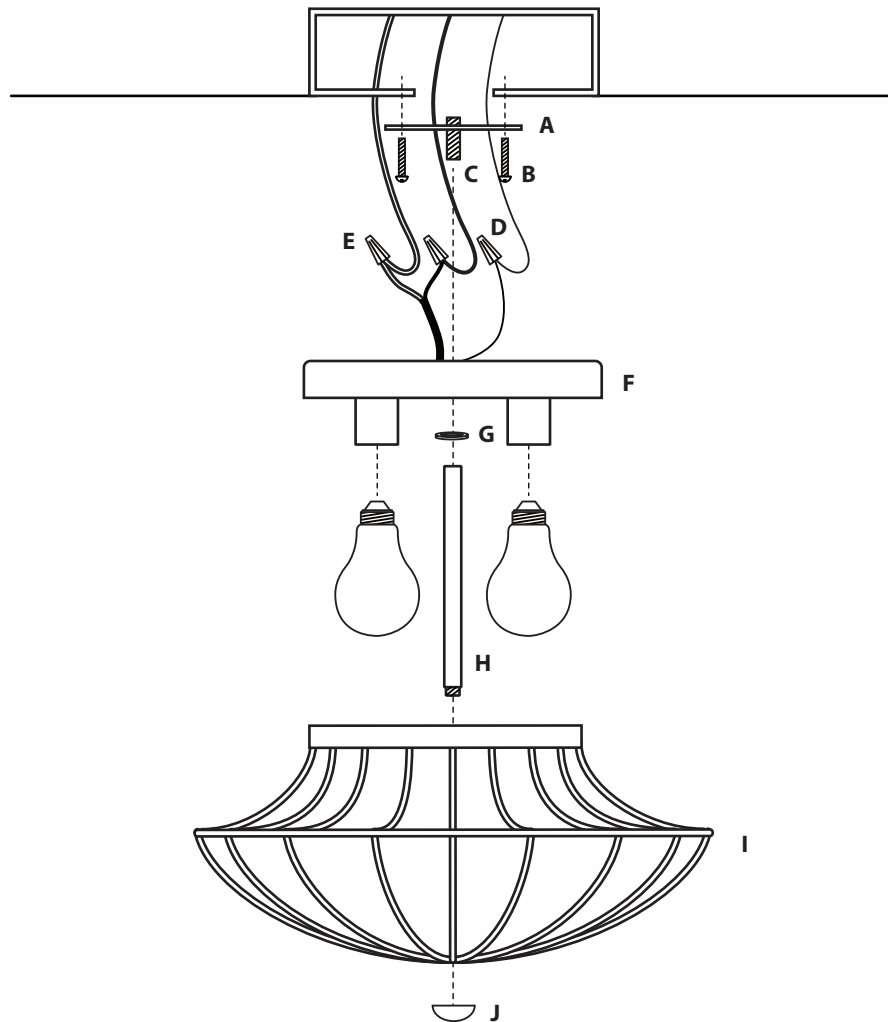
6695 Taylor Rd. Blacklick, OH 43004
www.besalighting.com

Spezza_ceiling, Rev.1 7-14

Caution: Turn off power to electrical box before installing

Use With these Models:

- Spezza 13 (SPEZZA13C)
- Spezza 18 (SPEZZA18C)



1. Carefully unpack parts. Fasten Mounting Bracket (A) to Outlet box with Mounting Screws (B).
2. Thread the Threaded Nipple (C) into the Mounting Bracket as shown.
3. Connect bare Ground Wire from fixture to supply ground with wire nut connector (D).
4. Connect the fixture conductors to the supply conductors with wire nut connectors (E) as shown: White fixture wires to white supply wire and black fixture wires to black supply wire. Carefully push wires and wire nuts back into outlet box.
5. Align fixture Canopy (F) over the Thread Nipple (C), then secure the fixture Canopy onto the Mounting Bracket (A) by threading on Flat Washer (G) and Stem Section (H).
6. Install lamps (NOTE: Number of lamps varies depending on Fixture).
7. Align Fixture (I) top opening to the Stem Section (H) and secure Fixture (I) onto fixture Canopy (F) with the Decorative Cap (J).
8. Restore power.

All electrical connections and the installation of this fixture must be in agreement with local codes, ordinances or the NEC (National Electric Code) or CEC (Canadian Electrical Code).
Do not connect this fixture to an electrical system that does not provide a means for equipment grounding.