

# FIXTURE INSTALLATION GUIDE

Models SW Series (Two, Three, and Four Light Vanity 120V)



BESALIGHTING

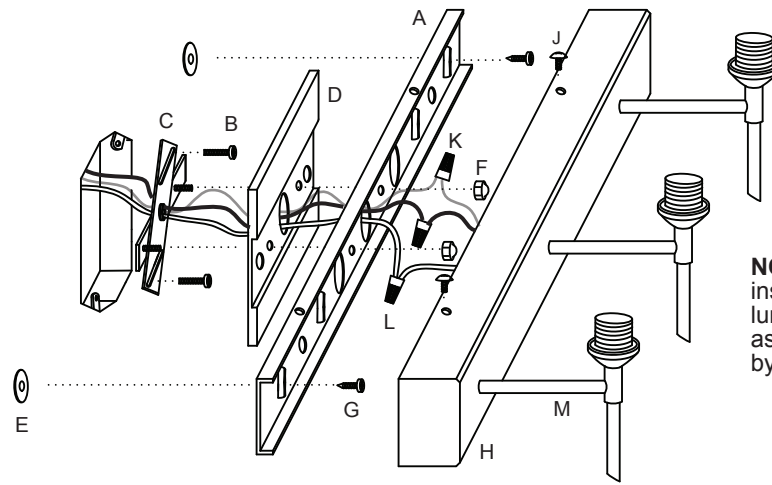
6695 Taylor Rd. Blacklick, OH 43004  
www.besalighting.com

SW Bath, Rev.4 10-13

**Caution: Turn off power to electrical box before installing**

## Use With these Models:

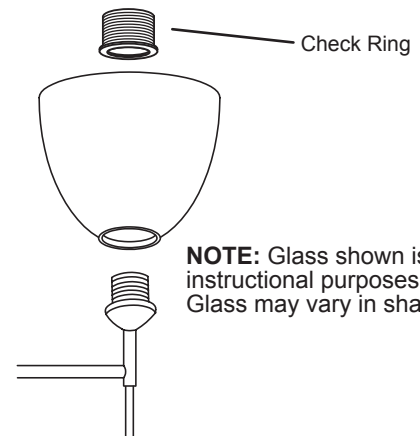
- SW Canto 5 (5131xx)
- SW Kani (5121xx)
- SW Kona (1176xx) (2824xx) (5504xx)
- SW Brella (4679xx)
- SW Domi (1743xx) (1843xx) (5743xx)
- SW Hopi (1813xx) (1913xx)
- SW Divi (1758xx) (1858xx)
- SW Lasso (5612xx)
- SW Mia (1779xx)
- SW Palla 5 (5658xx)
- SW Peri (5410xx)
- SW Tay Tay (5605xx)



**NOTE:** 3-Light fixture shown is for instructional purposes, actual luminaire may be 2-Light or 4-Light as well. Box Cover shape will vary by Model Number.

1. Carefully unpack and remove Hex Head Screws(J), releasing Mounting Plate(A) from Canopy(H). *Important: Before proceeding, confirm your mounting scenario. For a Downlighting scenario, the Socket Holders(M) must be inverted (see Diagram A). For a low-profile look, the Decorative Finial may be replaced with a Decorative Cap (see Diagram B).*
2. If installing to an Outlet Box, extend supply wiring through the Crossbar(C) and secure to the Outlet Box with machine screws(B) provided. For offset purposes where outlet box is to be off-center, use additional wood screws and wall anchors for support in lieu of the crossbar. *If an Outlet Box is not present, eliminate the use of the Crossbar and Box Cover(D) and proceed to step #3. A romex or BX clamp is advised when using flexible cable.*
3. Place the Box Cover(D) and Mounting Plate(A) over Crossbar for placement of Wall Anchors(E). After installing Anchors, reposition the Box Cover and Mounting Plate and secure with the Cap Nuts(F). Then secure the ends of the Mounting Plate by threading the Wood Screws(G) into the Wall Anchors.
4. Attach the Fixture Ground wire to the supply ground and secure with Wire Nut connector (K).
5. Connect the fixture conductors to the supply conductors with wire nut connectors (L) as shown: White fixture wire to white supply wire and black fixture wire to black supply wire. Carefully push wires and wire nuts back into outlet box.
6. Place the fixture Canopy (H) over the Mounting Plate so that the threaded openings in the Mounting Plate align with the two holes in Canopy. Secure with two Hex Head Screws.

7. Install the Glass Shade per diagram.
8. Install bulb provided (Type G9) and restore power

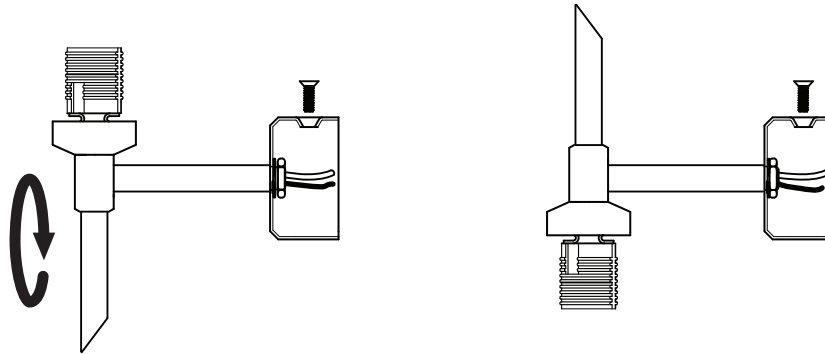


**NOTE:** Glass shown is for instructional purposes. Actual Glass may vary in shape or size

**All electrical connections and the installation of this fixture must be in agreement with local codes, ordinances or the NEC (National Electric Code) or CEC (Canadian Electrical Code). Do not connect this fixture to an electrical system that does not provide a means for equipment grounding.**



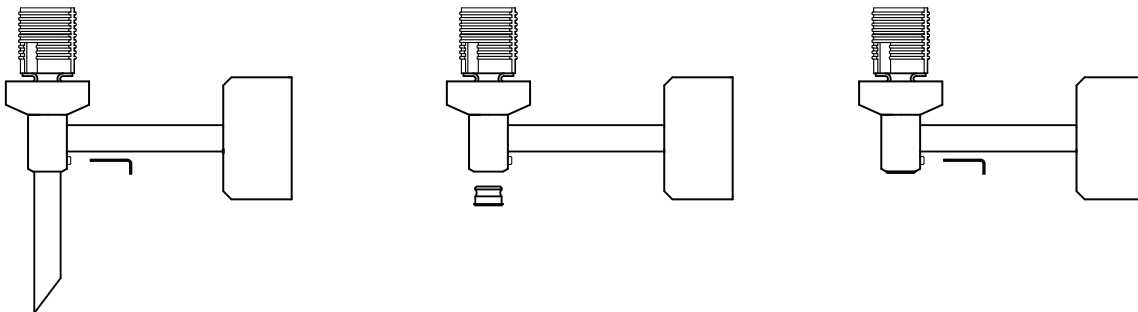
**CAUTION:** Turn off power to electrical box before installing



Loosen the Hex Nut inside canopy, releasing the Socketholder. Rotate the Socketholder into a downward position.

Hold the Socketholder against the canopy and secure with the Hex Nut.

**DIAGRAM A (Inverting Socketholders for Downlighting)**



Using Hex Wrench provided, loosen the Set Screw on the Socketholder, releasing the Decorative Finial. Pressure may need to be applied to fully remove the finial.

Replace the Decorative Finial with the Decorative Cap

Tighten the Set Screw to secure the Decorative Cap

**DIAGRAM B (Replacing Decorative Finial with Decorative Cap)**

All electrical connections and the installation of this fixture must be in agreement with local codes, ordinances or the NEC (National Electric Code) or CEC (Canadian Electrical Code). Do not connect this fixture to an electrical system that does not provide a means for equipment grounding.