

POST FITTER INSTALLATION GUIDE

Model A001X (120V)

A001X, Rev.2 6-09

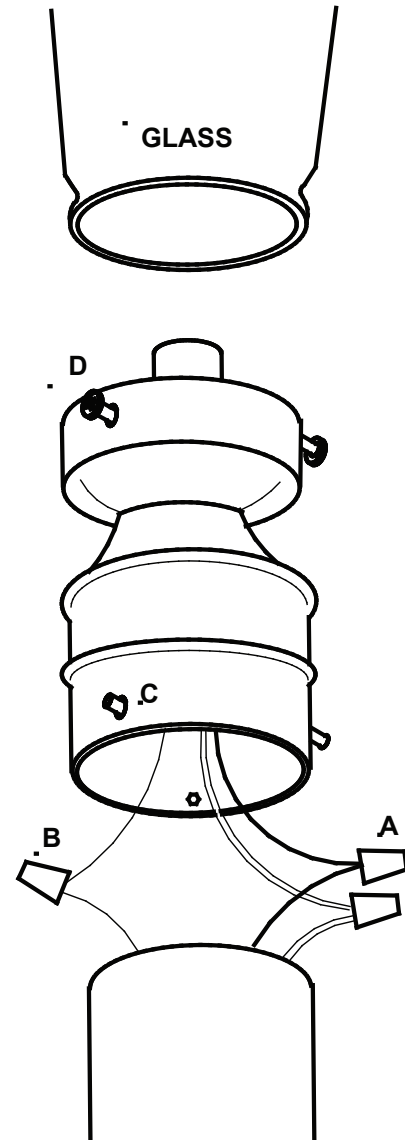


BESA LIGHTING

6695 Taylor Rd. Blacklick, OH 43004
www.besalighting.com

CAUTION: Read instructions carefully before installing Fitter.

1. Disconnect power to outlet box at main electric box.
2. Hold the fixture canopy above the post and connect the fixture wires (A) to the supply wires (black to black and white to white). Also connect the bare copper ground wire to the supply ground wire (B). Tighten securely with wire nuts. Carefully push wire and wire nuts back into the post.
3. Place the fixture canopy over the post and slide down on post until seated fully. Using an allen wrench, screw the three provided allen screws (C) into the canopy and tighten securely.
4. Partially install the 3 retaining screws (D) into the canopy.
5. With the power still off, insert bulb of not more than the recommended wattage.
6. Place the glass onto the canopy. Hook the neck of glass fully onto the canopy. Tighten the three retaining screws (D). **Do not overtighten the retaining screws.**
7. Restore power.



All electrical connections and the installation of this fixture must be in agreement with local codes, ordinances or the NEC (National Electric Code) or CEC (Canadian Electrical Code).
Do not connect this fixture to an electrical system that does not provide a means for equipment grounding.

FIXTURE INSTALLATION GUIDE

Models using T930 bracket (Wall Lantern 120V)

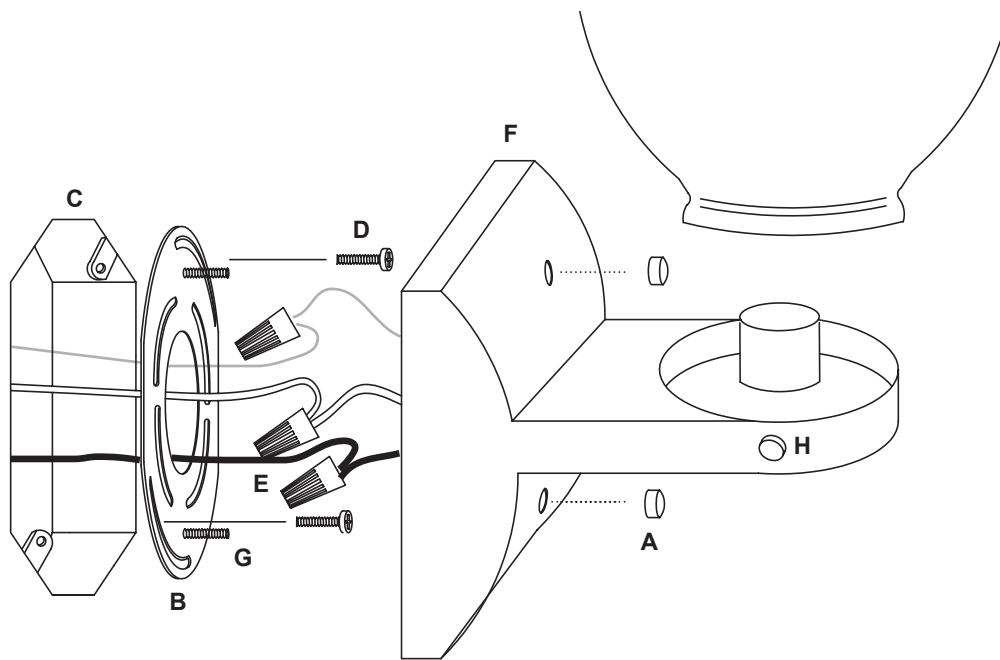
T930, Rev.3 9-12



BESA LIGHTING

6695 Taylor Rd. Blacklick, OH 43004
www.besalighting.com

CAUTION: Turn off power to electrical box before installing



1. Carefully remove parts from package.
2. Remove the two Decorative Cap Nuts (A) to release the Mounting Bracket (B).
3. Attach the Mounting Bracket to the Outlet Box (C) with two Machine Screws (D) provided.
4. Connect the electrical leads from the fixture to the house supply wires, black to black and white to white, and secure with wirenuts provided (E). Attach the house ground wire to the bare copper lead from the Canopy (F), and secure with the provided wirenut.
5. Align the circular openings on the canopy with the Threaded Posts (G) on the Mounting Plate. Push the Canopy over the Threaded Posts until the Canopy is flush with the wall, then secure with the Decorative Cap Nuts.
6. **IMPORTANT:** IN ORDER TO COMPLY WITH ESTABLISHED ELECTRICAL CODES, THE INSTALLER MUST SEAL THE AREA BETWEEN THE CANOPY AND THE WALL WITH CAULKING COMPOUND. THIS SHALL BE A TYPE SUCH AS SILICONE TO PROVIDE A WATERTIGHT SEAL WITH THE WALL.
7. With the power still off, insert bulb of not more than the labeled wattage.
8. Place the glass onto the canopy and secure with the two retaining screws (H).
Do not overtighten the retaining screws.
9. Restore power.

All electrical connections and the installation of this fixture must be in agreement with local codes, ordinances or the NEC (National Electric Code) or CEC (Canadian Electrical Code).
Do not connect this fixture to an electrical system that does not provide a means for equipment grounding.