



MONDO

120V PENDANTS

location:
DAMP

SPECIFICATIONS:

DESCRIPTION

The Mondo pendant commands attention with its striking presence for any modern and sleek interior. The cylindrical white acrylic tube, stands tall like a slender pillar of light and emits a soft and inviting glow when lit. Suspended from the ceiling by a combination of a cable and a cord, it embodies contemporary elegance and minimalist design.

LAMPING

LED:

MONDO48: 20W Replaceable LED, 2000 lumens.

MONDO72: 35W Replaceable LED, 3500 lumens.

MONDO96: 50W Replaceable LED, 5000 lumens.

Integrated LED source, dimmable, 90+ CRI, 30,000 hours.

DIFFUSER

Shade shall be made of Frosted Acrylic in three sizes:

6" Dia. x 48" H

6" Dia. x 72" H

6" Dia. x 96" H

SUSPENSION

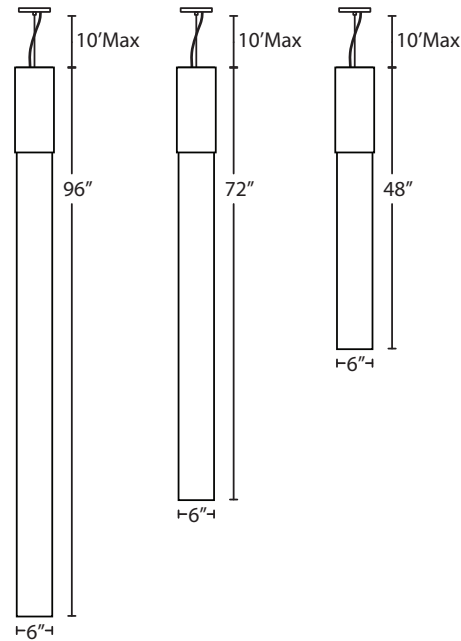
10' SVT-type cord and 3/32 cable support. Jacket coordinates with metal finish. Plated stamped steel construction. Black finish.

MOUNTING

Installs directly to a 4" octagonal ceiling box. Suitable for sloped ceilings.

LABELS

UL or ETL Listed. Suitable for Damp Locations (interior use only).



96" H, 72" H AND 48" H ACRYLIC

ORDERING:

CONNECTION	SHADE OPTION	LAMP OPTION	METAL FINISH	OPTIONS
Cord Fixtures	MONDO48 48" Acrylic	LED 3000K LED	BK Black	L 15' cord
1KX 1 Lt. Flat	MONDO72 72" Acrylic	LED35 3500K LED	*Contact Factory for custom colors	277 277V
	MONDO96 96" Acrylic	LED40 4000K LED		DIM010 0-10V Dimming

Ex. 1JT-MONDO48-LED-BK
Mondo 48 Pendant w/ Acrylic Shade,
Black Finish

Project Information:

All dimensions provided are nominal.
Allowance must be made for dimensional tolerance in handcrafted glasses.

REV 7/23